

PORTABLE PLAYER DOCK PDX-30/PDX-50

SERVICE MANUAL

IMPORTANT NOTICE

This manual has been provided for the use of authorized YAMAHA Retailers and their service personnel.

It has been assumed that basic service procedures inherent to the industry, and more specifically YAMAHA Products, are already known and understood by the users, and have therefore not been restated.

WARNING: Failure to follow appropriate service and safety procedures when servicing this product may result in personal injury, destruction of expensive components, and failure of the product to perform as specified. For these reasons, we advise all YAMAHA product owners that any service required should be performed by an authorized YAMAHA Retailer or the appointed service representative.

IMPORTANT: The presentation or sale of this manual to any individual or firm does not constitute authorization, certification or recognition of any applicable technical capabilities, or establish a principle-agent relationship of any form.

The data provided is believed to be accurate and applicable to the unit(s) indicated on the cover. The research, engineering, and service departments of YAMAHA are continually striving to improve YAMAHA products. Modifications are, therefore, inevitable and specifications are subject to change without notice or obligation to retrofit. Should any discrepancy appear to exist, please contact the distributor's Service Division.

WARNING: Static discharges can destroy expensive components. Discharge any static electricity your body may have accumulated by grounding yourself to the ground buss in the unit (heavy gauge black wires connect to this buss).

IMPORTANT: Turn the unit OFF during disassembly and part replacement. Recheck all work before you apply power to the unit.

CONTENTS

| | | | |
|---|-----|-------------------------------------|-------|
| TO SERVICE PERSONNEL | 2-3 | DISASSEMBLY PROCEDURES / 分解手順 | 11-13 |
| FRONT PANELS | 4-5 | IC DATA | 14-16 |
| REAR PANELS | 6-7 | BLOCK DIAGRAM | 17 |
| REMOTE CONTROL PANEL | 8 | PRINTED CIRCUIT BOARDS | 18-19 |
| SPECIFICATIONS / 参考仕様 | 8-9 | PIN CONNECTION DIAGRAMS | 20 |
| INTERNAL VIEW | 9 | SCHEMATIC DIAGRAMS | 21-22 |
| ABOUT THE STATUS INDICATOR / ステータスインジケータ | 10 | REPLACEMENT PARTS LIST | 23-31 |
| | | REMOTE CONTROL | 32 |



このサービスマニュアルは、エコマーク認定の再生紙を使用しています。
This Service Manual uses recycled paper.

101125

Copyright © 2009 YAMAHA CORPORATION All rights reserved.
This manual is copyrighted by YAMAHA and may not be copied or
redistributed either in print or electronically without permission.



YAMAHA

YAMAHA CORPORATION
P.O.Box 1, Hamamatsu, Japan
animate '09.02

■ TO SERVICE PERSONNEL

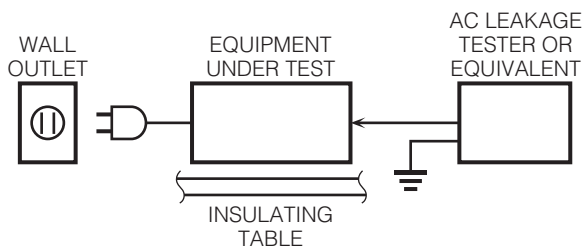
1. Critical Components Information

Components having special characteristics are marked Δ and must be replaced with parts having specifications equal to those originally installed.

2. Leakage Current Measurement (For 120V Models Only)

When service has been completed, it is imperative to verify that all exposed conductive surfaces are properly insulated from supply circuits.

- Meter impedance should be equivalent to 1500 ohms shunted by 0.15 μ F.



- Leakage current must not exceed 0.5mA.
- Be sure to test for leakage with the AC plug in both polarities.



“CAUTION”

“F1: FOR CONTINUED PROTECTION AGAINST RISK OF FIRE, REPLACE ONLY WITH SAME TYPE 40A, 15V FUSE.”

CAUTION

F1: REPLACE WITH SAME TYPE 40A, 15V FUSE.

ATTENTION

F1: UTILISER UN FUSIBLE DE RECHANGE DE MÊME TYPE DE 40A, 15V.

WARNING: CHEMICAL CONTENT NOTICE!

This product contains chemicals known to the State of California to cause cancer, or birth defects or other reproductive harm.

DO NOT PLACE SOLDER, ELECTRICAL/ELECTRONIC OR PLASTIC COMPONENTS IN YOUR MOUTH FOR ANY REASON WHATSOEVER!

Avoid prolonged, unprotected contact between solder and your skin! When soldering, do not inhale solder fumes or expose eyes to solder/flux vapor!

If you come in contact with solder or components located inside the enclosure of this product, wash your hands before handling food.

About lead free solder / 無鉛ハンダについて

All of the P.C.B.s installed in this unit and solder joints are soldered using the lead free solder.

Among some types of lead free solder currently available, it is recommended to use one of the following types for the repair work.

- Sn + Ag + Cu (tin + silver + copper)
- Sn + Cu (tin + copper)
- Sn + Zn + Bi (tin + zinc + bismuth)

Caution:

As the melting point temperature of the lead free solder is about 30°C to 40°C (50°F to 70°F) higher than that of the lead solder, be sure to use a soldering iron suitable to each solder.

本機に搭載されているすべての基板およびハンダ付けによる接合部は無鉛ハンダでハンダ付けされています。

無鉛ハンダにはいくつかの種類がありますが、修理時には下記のような無鉛ハンダの使用を推奨します。

- Sn+Ag+Cu (錫 + 銀 + 銅)
- Sn+Cu (錫 + 銅)
- Sn+Zn+Bi (錫 + 亜鉛 + ビスマス)

注意：

無鉛ハンダの融点温度は通常の鉛入りハンダに比べ 30 ~ 40°C程度高くなっていますので、それぞれのハンダに合ったハンダごてをご使用ください。

WARNING: Lithium batteries**CAUTION**

Danger of explosion if battery is incorrectly replaced.
Replace only with the same or equivalent type.

WARNING: Lithium batteries are dangerous because they can be exploded by improper handling. Observe the following precautions when handling or replacing lithium batteries.

- Leave lithium battery replacement to qualified service personnel.
- Always replace with batteries of the same type.
- When installing on the PC board by soldering, solder using the connection terminals provided on the battery cells. Never solder directly to the cells. Perform the soldering as quickly as possible.
- Never reverse the battery polarities when installing.
- Do not short the batteries.
- Do not attempt to recharge these batteries.
- Do not disassemble the batteries.
- Never heat batteries or throw them into fire.

注意

正しい電池と交換しないと爆発が起きるおそれがあります。
同一型名または同等品以外の電池とは絶対に交換しないようにしてください。

ADVARSEL!

Lithiumbatteri –Eksplodingsfare ved fejlagtig håndtering.
Udskiftning må kun ske med batteri af samme fabrikat og type. Levér det brugte batteri tilbage til leverandøren.

VARNING

Explosionsfara vid felaktigt batteribyte. Använd samma batterityp eller en ekvivalent typ som rekommenderas av apparattillverkaren. Kassera använt batteri enligt fabrikantens instruktion.

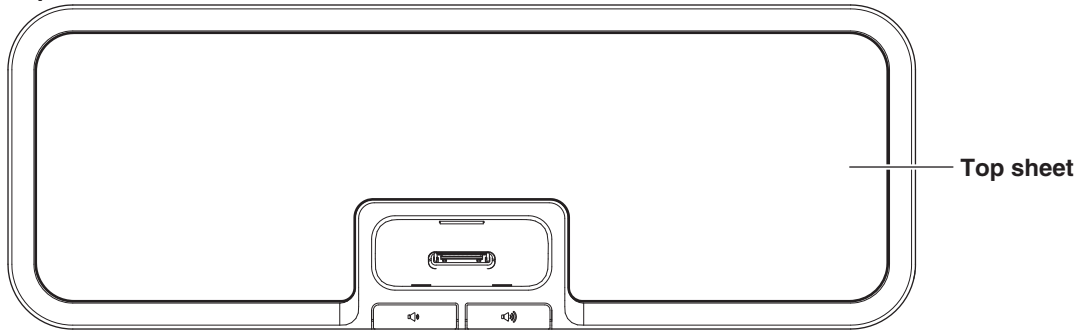
VAROITUS

Paristo voi räjähtää, jos se on virheellisesti asennettu.
Vaihda paristo ainoastaan laitevalmistajan suosittelemaan tyyppiin. Hävitä käytetty paristo valmistajan ohjeiden mukaisesti.

FRONT PANELS

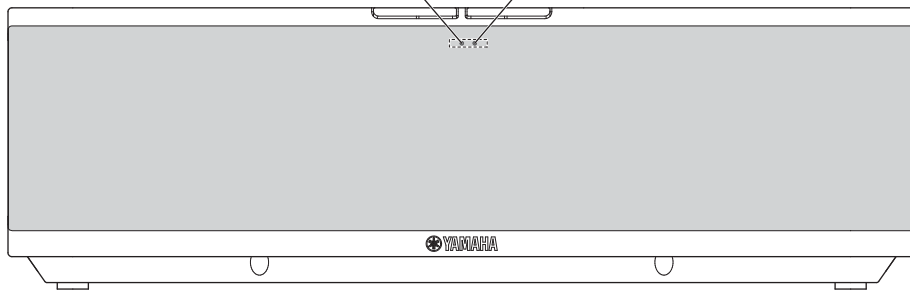
PDX-30

Top view

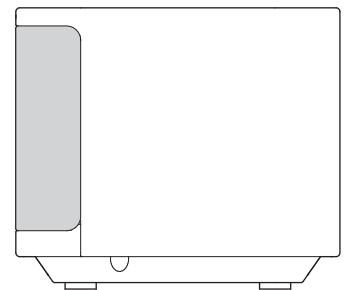


Front view

STATUS indicators / インジケーター
(green / 緑) (red / 赤)

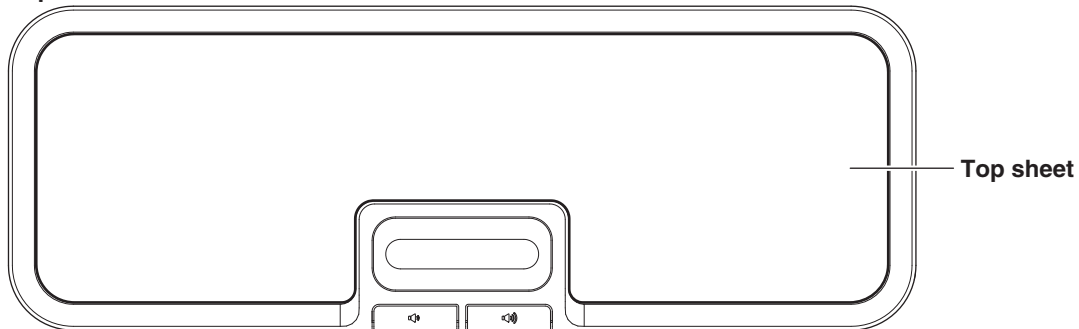


Side view



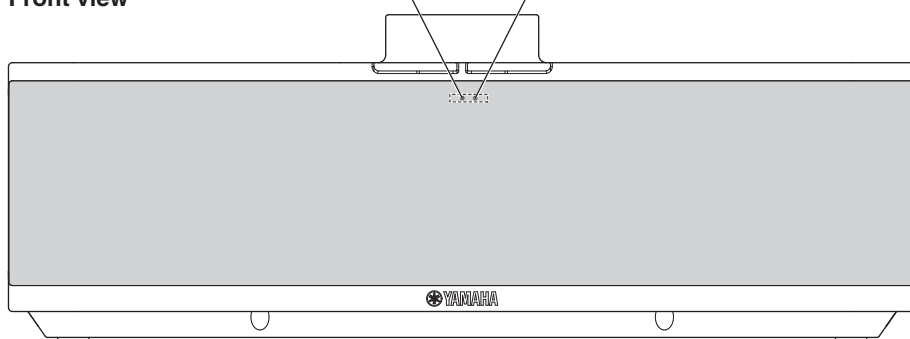
PDX-50

Top view

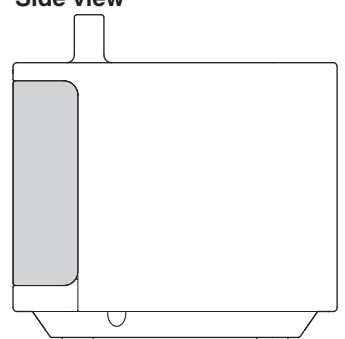


Front view

STATUS indicators / インジケーター
(green / 緑) (red / 赤)



Side view

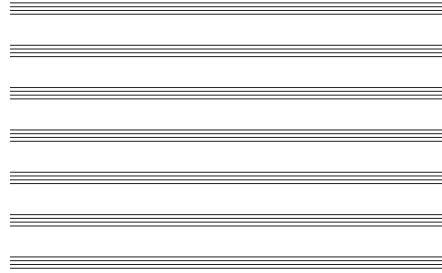


Patterns of top sheet

PDX-30

U model

Gray, Blue, Pink, Black colors



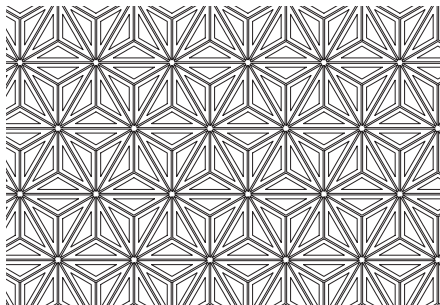
PDX-30

R, T, K, A, B, G, L, J models

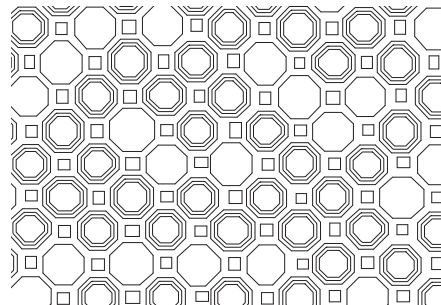
PDX-50

U, R, T, K, A, B, G, L, J models

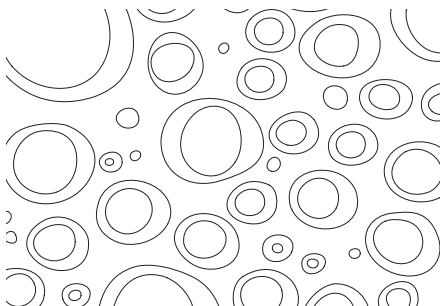
Gray color



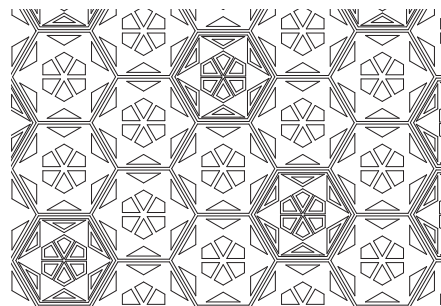
Blue color



Pink color



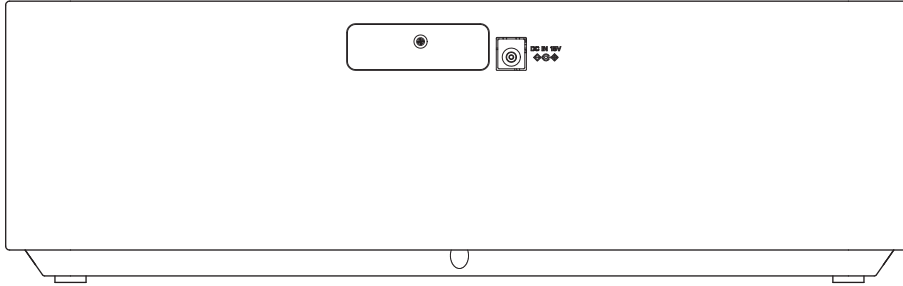
Black color



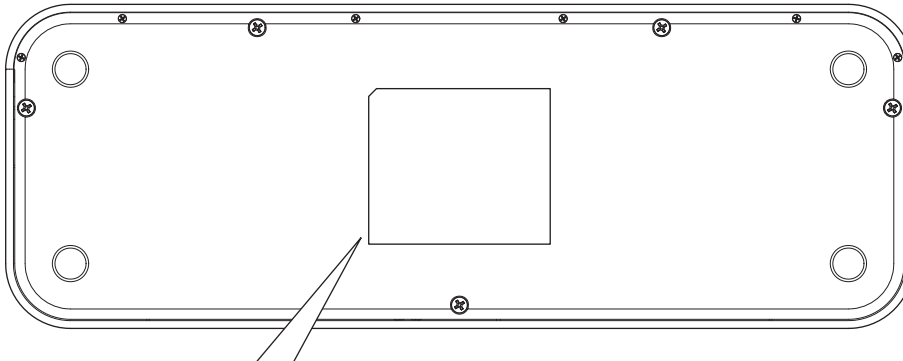
REAR PANELS

PDX-30

Rear view



Bottom view



U, R, A, B, G, L, J models

YAMAHA
 MODEL NO. PDX-30
 ヤマハ株式会社
 YAMAHA CORPORATION
 MADE IN CHINA
 15V = 2.88A

THIS DEVICE COMPLIES WITH PART 15 OF THE FCC RULES. OPERATION IS SUBJECT TO THE FOLLOWING TWO CONDITIONS:
 (1) THIS DEVICE MAY NOT CAUSE HARMFUL INTERFERENCE, AND
 (2) THIS DEVICE MUST ACCEPT ANY INTERFERENCE RECEIVED, INCLUDING INTERFERENCE THAT MAY CAUSE UNDESIRABLE OPERATION.

INTERFERE
 VERIFIED
EMC

THIS CLASS B DIGITAL APPARATUS COMPLES WITH CANADIAN ICES-008.
 CET APPAREIL NUMÉRIQUE DE LA CLASSE B EST CONFORME À LA NORME ICES-008 DU CANADA.

WQ48180-0-JUC8RBAL

T, K models

전기용품안전인증표시사항
YAMAHA
 YAMAHA CORPORATION
 MODEL NO., 모델명, 型号 PDX-30
 MADE IN CHINA
 15V = 2.88A

제품명 : 엘프니장형 스피커
 제조자 : YAMAHA ELECTRONICS (SUZHOU) CO., LTD.
 A/S : 080-004-0022 (KOREA ONLY)

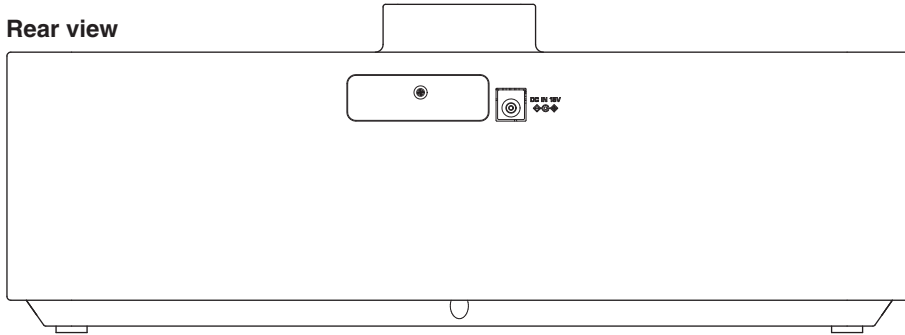
便携底座音箱
 产品技术标准 : GB6008-2001
 日本设计 中国制造
 额定 15V = 2.88A

WQ48200-0-TK

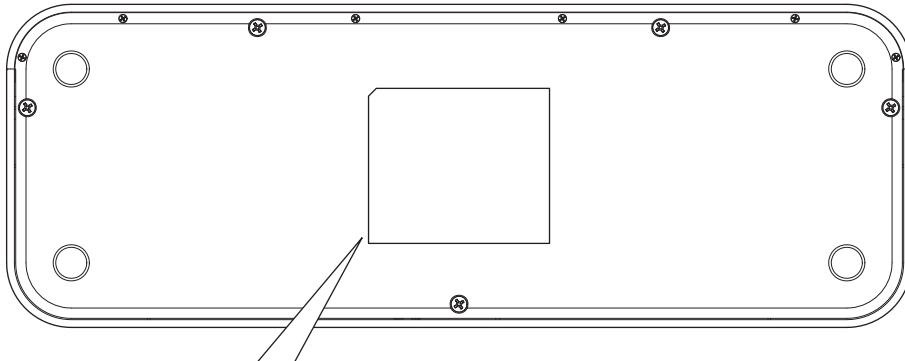
PDX-30/PDX-50

PDX-50

Rear view



Bottom view



U, R, A, B, G, L, J models

YAMAHA
 MODEL NO. PDX-50
 株式会社ヤマハ
 YAMAHA CORPORATION
 MADE IN CHINA
 15V = 2.88A

007WW
 CUL0922

THIS DEVICE COMPLIES WITH PART 15 OF THE FCC RULES AND 15B-15C OF IC RULES.
 OPERATOR IS SUBJECT TO THE FOLLOWING TWO CONDITIONS:
 (1) THIS DEVICE MAY NOT CAUSE INTERFERENCE, AND
 (2) THIS DEVICE MUST ACCEPT ANY INTERFERENCE, INCLUDING INTERFERENCE THAT MAY CAUSE UNDESIRABLE OPERATION OF THIS DEVICE.

THIS CLASS B DIGITAL APPARATUS COMPLES WITH CANADIAN ICES-003.
 CET APPAREIL NUMÉRIQUE DE LA CLASSE B EST CONFORME À LA NORME ICS-003 DU CANADA.

FCC ID: A8RPDX50A
 IC: 7408-PDX50A

WQ48170-0-JUC0RBAL

00000000™
 FREE SPIN™
 pure digital transmission

T, K models

전기용품안전인증표시사항

YAMAHA
 MODEL NO., 모델명, 型号 PDX-50
 YAMAHA CORPORATION
 MADE IN CHINA
 15V = 2.88A

방출공신위원의
 YCJ-PDX50A

제품명 : 엠프내장형 스피커
 제조자 : YAMAHA ELECTRONICS (SUZHOU) CO., LTD.
 A/S : 000-004-0022 (KOREA ONLY)

便携底座音箱
 产品技术标准: GB6880-2001
 日本设计 中国制造
 额定 15V = 2.88A

당해 무선설비는 운용 중
 전파혼신 가능성이 있음

CMII ID: XXYZZZZ

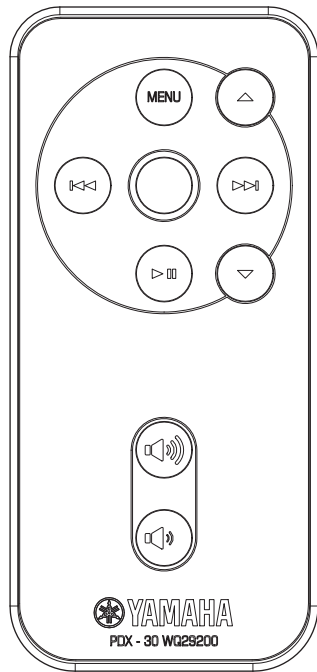
WQ48180-0-TK

00000000™
 FREE SPIN™
 pure digital transmission

REMOTE CONTROL PANEL

PDX-30

U, R, T, K, A, B, G, L, J models



Dimensions (W x H x D) / 寸法 (幅 × 高さ × 奥行き)

[PDX-30]
.....350 x 109 x 125 mm (13-3/4" x 4-1/4" x 4-7/8")

[PDX-50]
.....350 x 127.5 x 125 mm (13-3/4" x 5" x 4-7/8")

Weight / 質量 (Without accessories / 本体)

..... 1.7 kg (3.7 lbs.)

Finish / 仕上げ

Gray colorU, R, T, K, A, B, G, L, J models

Pink colorU, R, T, K, A, B, G, L, J models

Blue colorU, R, T, K, A, B, G, L, J models

Black colorU, R, T, K, A, B, G, L, J models

Accessories / 付属品

AC adaptor for this unit (1.8 m) x 1

Power cable (1.8 m) U, R, T, K, A, B, J models x 1

Power cable (2.0 m) G, L models x 1

[PDX-30]

Remote control x 1

Lithium battery (CR2025) x 1

[PDX-50]

Transmitter for iPod x 1

Charging cradle x 1

AC adaptor for charging cradle x 1

* Specifications are subject to change without notice due to product improvements.

※ 参考仕様および外観は予告なく変更されることがあります。

U.....U.S.A. and Canadian models B.....British model
R.....General model G.....European model
T.....Chinese model L.....Singapore model
K.....Korean model J.....Japanese model
A.....Australian model

SPECIFICATIONS / 参考仕様

PDX-30

PDX-50

Supported iPod / 対応 iPod iPod (5th generation), iPod classic, iPod nano, iPod touch

Supported iPhone / 対応 iPhone iPhone, iPhone 3G

Output Power / 出力 (6 ohms, 1 kHz, 10 % THD)
..... 15 W + 15 W

Driver Unit / スピーカーユニット
.....8 cm (3-1/8") full-range driver x 2

Frequency Response / 再生周波数帯域
.....60 Hz to 20 kHz

Power Voltage/Frequency / 電圧電源/周波数
U model AC 120 V, 60 Hz
R, T, K, A, B, G, L models AC 100 to 240 V, 50/60 Hz
J model AC 100 V, 50/60 Hz

Power Consumption / 消費電力 10 W

Power Consumption Without Connecting iPod/iPhone / iPod / iPhone 未接続時の消費電力
.....1 W or less

Wireless Specifications / 無線仕様 [PDX-50]

Frequency / 周波数 2.4 GHz

Transmission Range / 通信可能距離
(Without interference / 妨害のない時)
.....about 20 m

Latency / 伝送時間 12 ms

iPhone™, iPod™

"iPhone" and "iPod" are trademarks of Apple Inc., registered in the U.S. and other countries.

iPhone と iPod は、米国およびその他の国々で登録された Apple Inc. の商標または登録商標です。

PDX-50

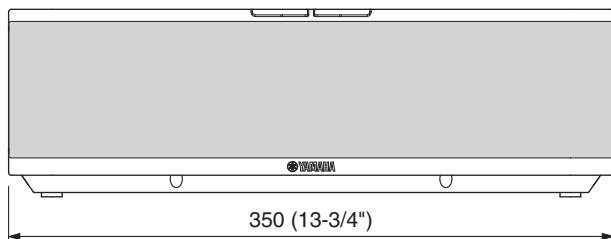
本機の無線方式について

| | | |
|--|-------|---|
| | [2.4] | 2.4 GHz 帯を使用する無線設備 |
| | [XX] | 変調方式はその他の方式 |
| | [4] | 想定干渉距離が40 m 以内 全帯域を使用し、かつ移動体識別装置の帯域を回避可能 |

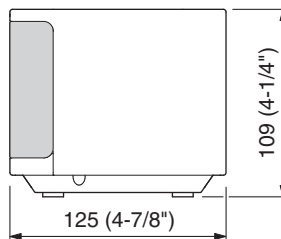
• DIMENSIONS / 寸法図

PDX-30

Front view

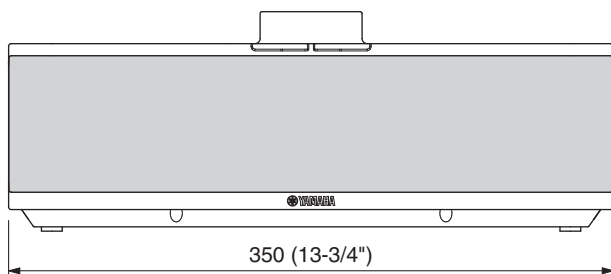


Side view

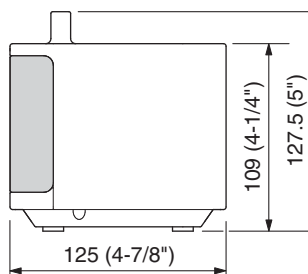


PDX-50

Front view



Side view

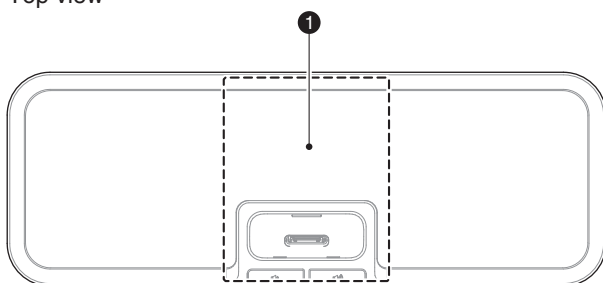


Unit: mm (inch)
単位:mm (インチ)

PDX-30/PDX-50

■ INTERNAL VIEW

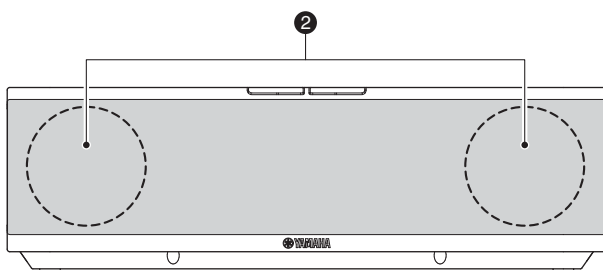
Top view



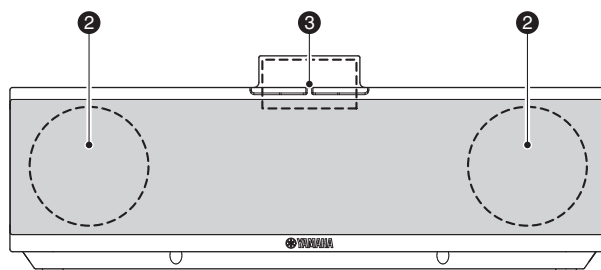
- ① MAIN P.C.B.
- ② DRIVER FULL-RANGE
- ③ WIRELESS MODULE (PDX-50)

Front view

PDX-30



PDX-50



■ ABOUT THE STATUS INDICATOR / ステータスインジケータ

PDX-30

Indicates the current status of this unit.

本機の状態を表します。

| Indicator status / インジケータ表示 | | The current status of this unit / 本機の状態 | |
|-----------------------------|---------|---|--|
| Green / 緑 | Red / 赤 | | |
| | | Off 消灯 | This unit is in standby mode. An iPhone or iPod is not connected, or has stopped playing. (However, lit for 30 seconds after connecting or stopping playback.) スタンバイ iPhone または iPod が未接続か、再生停止になっている (ただし、接続後、または再生を停止した後も 30 秒間は点灯している) |
| | | Flashes green 緑点滅 | Connecting, please wait. iPhone または iPod の接続を確認中 |
| | | Flashes green once 一度だけ緑点滅 | Adjusting the volume level with the volume keys of this unit or operating with the remote control. 本体のボリュームキーで音量を調整中、またはリモコンで操作中 |
| | | Lit green 緑点灯 | This unit turns on. An iPhone or iPod is connected. パワーオン iPhone または iPod の接続完了 |
| | | Lit green and flashes red 緑点灯と赤点滅 | Flashes red for only 2 seconds: An unsupported iPod is connected. Keeps flashing red: Connection failed. (Connect again.) 2 秒間だけ赤点滅: 未対応の iPod が接続された状態 赤点滅が継続: 認証失敗の状態 (接続しなおす) |
| | | Flashes red 赤点滅 | The protection circuitry has been activated. (Once disconnect the AC adaptor, wait for a while, and reconnect it again.) なんらかのエラーが検出され保護回路が作動している状態 (いったん AC アダプターのプラグを抜き、しばらくしてから再度差し込む) |
| | | Flashes red once 一度だけ赤点滅 | The volume of this unit is set to maximum or minimum. 音量が最大または最小 |

● : Lit / 点灯 : Flashes / 点滅 ○ : Off / 消灯

PDX-50

Indicates the current status of this unit (speaker/transmitter).

本機 (スピーカー/トランスミッター) の状態を表します。

| Indicator status / インジケータ表示 | | The current status of this unit / 本機の状態 | |
|-----------------------------|---------|---|--|
| Green / 緑 | Red / 赤 | | |
| | | off 消灯 | An iPhone or iPod is not connected, or has stopped playing. iPhone または iPod が未接続か、再生停止になっている |
| | | Flashes green 緑点滅 | Connecting, please wait. iPhone または iPod の接続を確認中 |
| | | Flashes green once 一度だけ緑点滅 | Adjusting the volume level. 音量調節中 |
| | | Lit green 緑点灯 | Connected. iPhone または iPod の接続完了 |
| | | Lit green and flashes red 緑点灯と赤点滅 | Flashes red for only 2 seconds: An unsupported iPod is connected. Keeps flashing red: Connection failed. (Connect again.) 2 秒間だけ赤点滅: 未対応の iPod が接続された状態 赤点滅が継続: 認証失敗の状態 (接続しなおす) |
| | | Flashes red 赤点滅 | The protection circuitry has been activated. (Once disconnect the AC adaptor, wait for a while, and reconnect it again.) なんらかのエラーが検出され保護回路が作動している状態 (いったん AC アダプターのプラグを抜き、しばらくしてから再度差し込む) |
| | | Flashes red once 一度だけ赤点滅 | The volume of this unit is set to maximum or minimum. 音量が最大か最小 |
| | | Flashes red (regardless of green status) 赤点滅 (緑の状態に関係なく) | The battery of the iPhone or iPod is low. iPhone または iPod のバッテリー不足 |

● : Lit / 点灯 : Flashes / 点滅 ○ : Off / 消灯

■ DISASSEMBLY PROCEDURES / 分解手順

(Remove parts in the order as numbered.)
Disconnect the power cable from the AC outlet.

(番号順に部品を取り外してください。)
AC 電源コンセントから、電源コードを抜いてください。

Disassembly procedure of PDX-50 is described to represent similar models.

代表で、PDX-50 の分解手順を記載します。

Spread the rubber sheet and the cloth. Then place this unit on the cloth upside down.

ゴムシートと布を敷き、本機を上下反転します。

1. Removal of Bottom Cover Ass'y

- a. Remove 5 screws (①). (Fig. 1)
- b. Remove the bottom cover ass'y. (Fig. 1)

1. ボトムカバー ASSY の外し方

- a. ①のネジ 5 本を外します。(Fig. 1)
- b. ボトムカバー ASSY を取り外します。(Fig. 1)

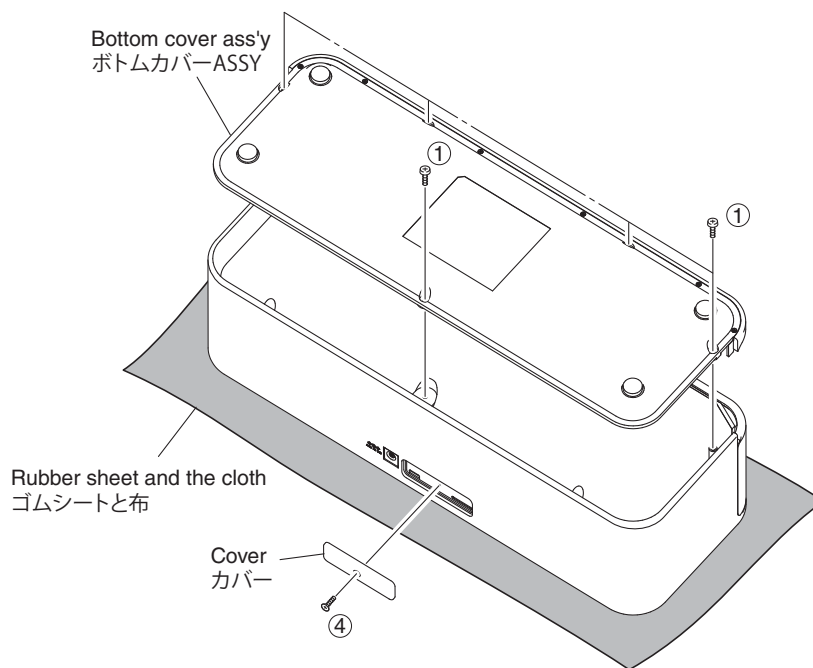


Fig. 1

2. Removal of Speaker Cabinet Ass'y

- Remove 6 screws (②). (Fig. 2)
- Lift the speaker cabinet ass'y gradually. (Fig. 2)
- Remove CB5. (Fig. 2)
- Remove the speaker cabinet ass'y. (Fig. 2)

2. SP キャビネット ASSY の外し方

- ②のネジ 6 本を外します。(Fig. 2)
- SP キャビネット ASSY をゆっくり持ち上げます。(Fig. 2)
- CB5 を外します。(Fig. 2)
- SP キャビネット ASSY を取り外します。(Fig. 2)

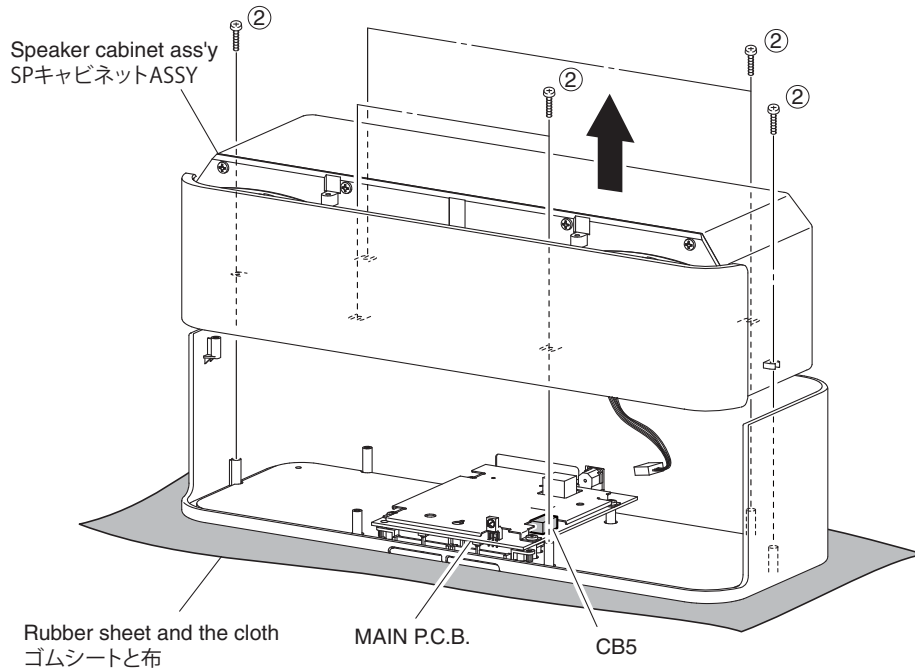


Fig. 2

3. Removal of Front Grille Ass'y

- Remove 7 screws (③). (Fig. 3)
- Remove the front grille ass'y. (Fig. 3)

3. フロントグリル ASSY の外し方

- ③のネジ 7 本を外します。(Fig. 3)
- フロントグリル ASSY を取り外します。(Fig. 3)

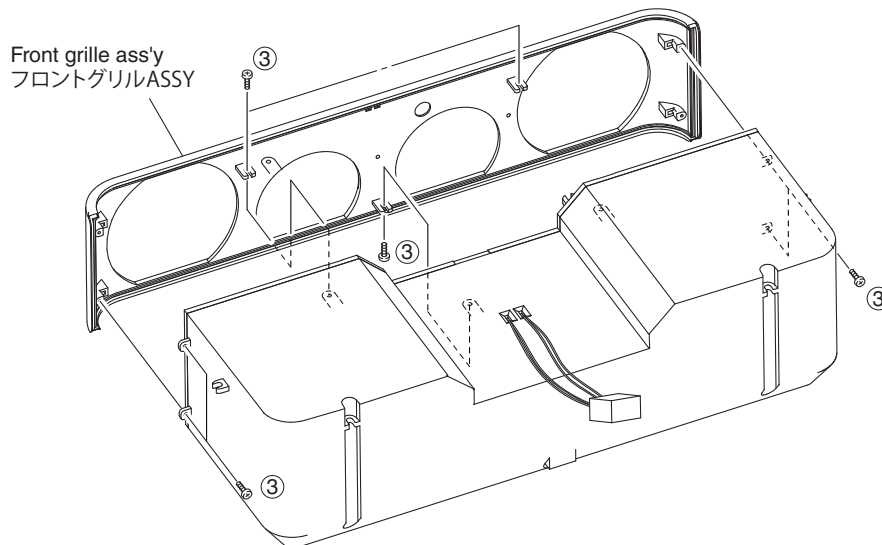


Fig. 3

4. Removal of MAIN P.C.B.

- Remove screw (④), and remove the cover. (Fig. 1)
- Remove 4 screws (⑤). (Fig. 4)
- Remove the P.C.B. support. (Fig. 4)
- Remove screw (⑥). (Fig. 4)
- Remove the MAIN P.C.B.. (Fig. 4)

4. MAIN P.C.B. の外し方

- ④のネジ 1 本を外し、カバーを取り外します。(Fig. 1)
- ⑤のネジ 4 本を外します。(Fig. 4)
- P.C.B. サポートを取り外します。(Fig. 4)
- ⑥のネジ 1 本を外します。(Fig. 4)
- MAIN P.C.B. を取り外します。(Fig. 4)

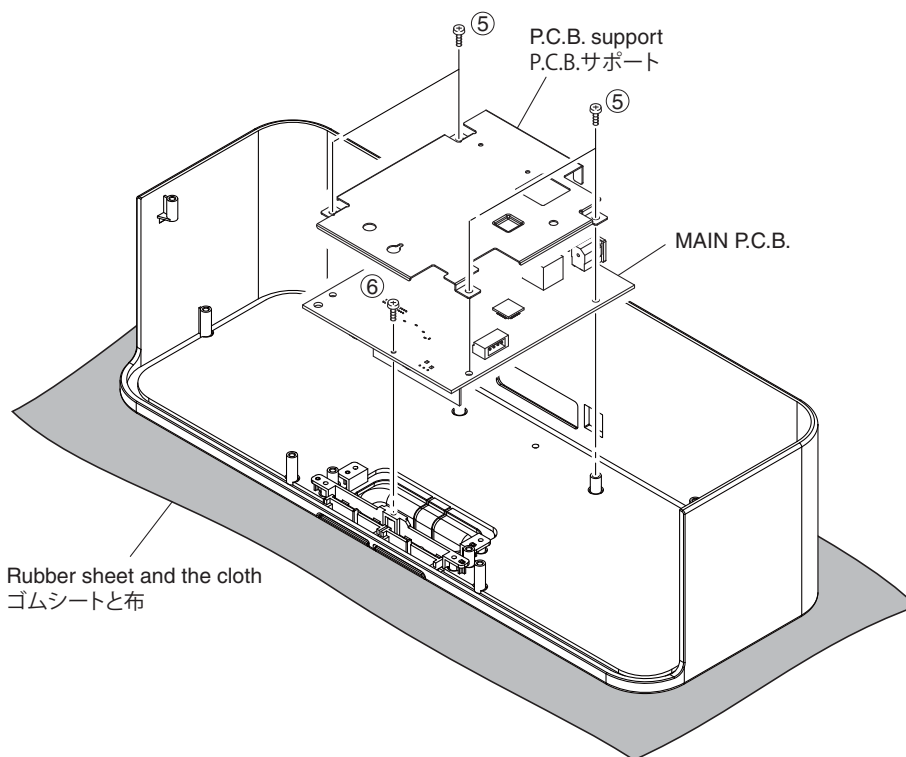


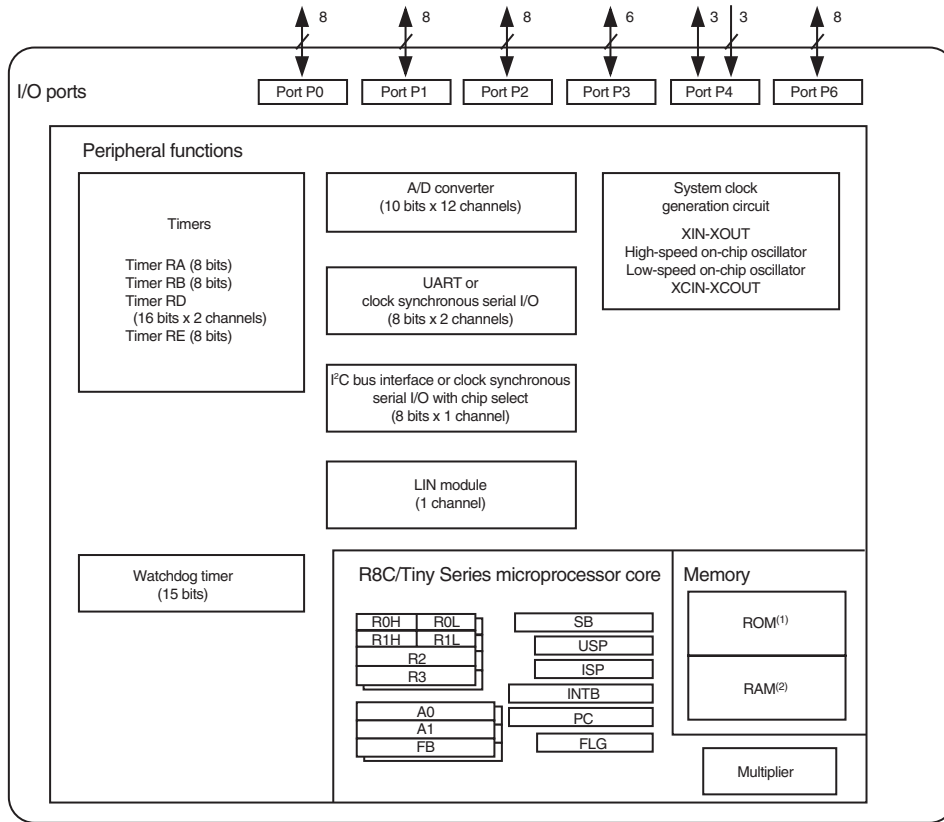
Fig. 4

IC DATA

IC10: R5F21246SNFP (MAIN P.C.B.)

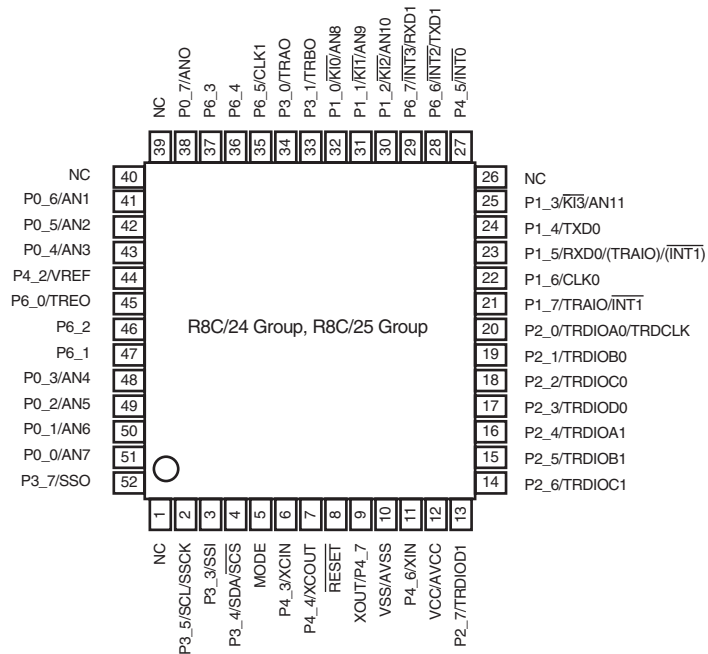
Single-chip 16-bit microprocessor

* No replacement part available. / サービス部品供給なし



NOTES:

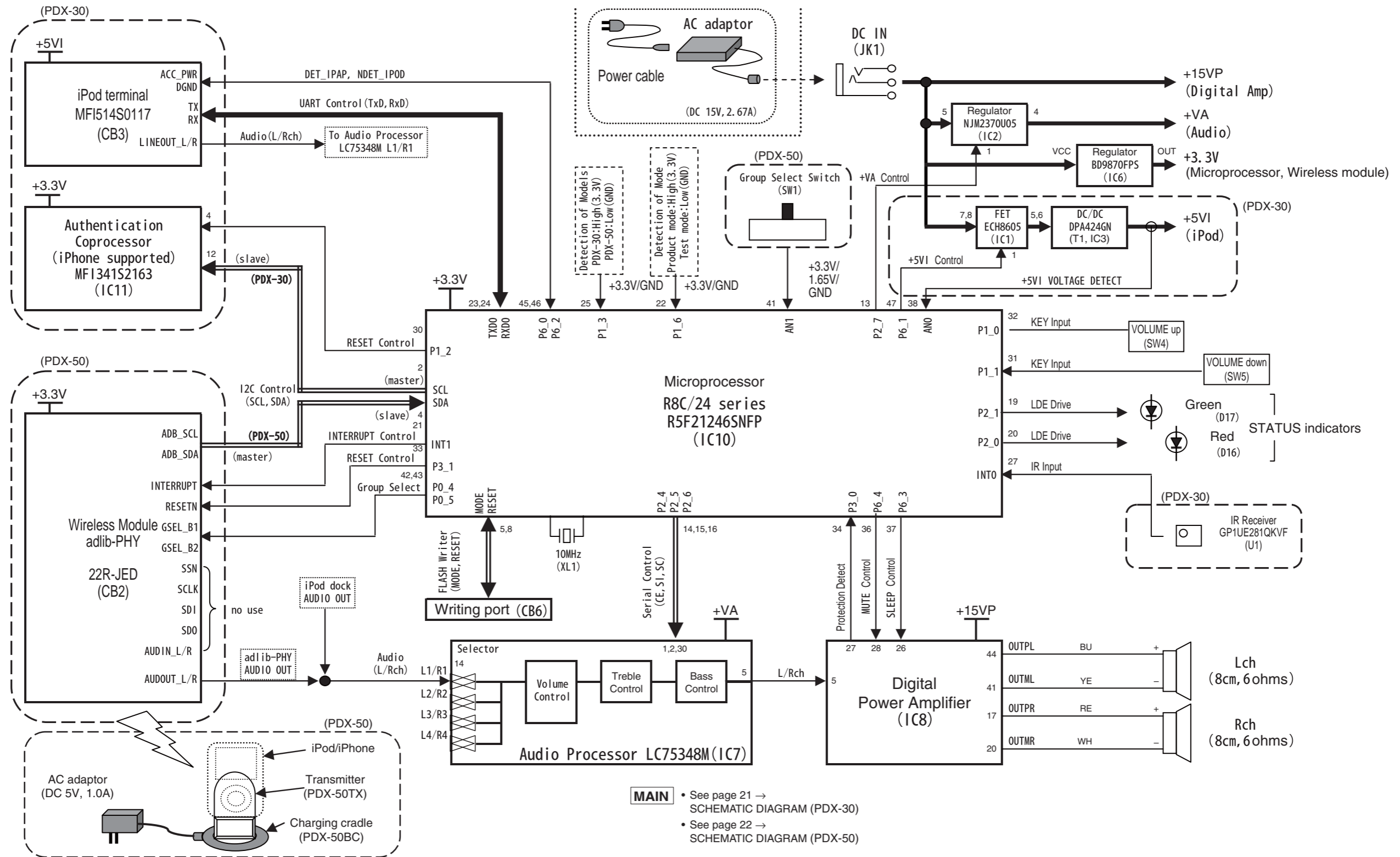
1. ROM size varies with MCU type.
2. RAM size varies with MCU type.



| Pin No. | Port Name | Function Name | I/O | Detail of Function | |
|---------|------------------------------|---------------|-----|--------------------------------------|-------------------------|
| | | | | PDX-30 | PDX-50 |
| 1 | N.C. | | | | |
| 2 | P3_5/SCL/SSCK | I2C_SCL | O | Verification chip (SCL)/ (EEPROM) | Wireless module (SCL) |
| 3 | P3_3/SSI | — | | | |
| 4 | P3_4/SDA/SCS | I2C_SDA | I/O | Verification chip (SDA)/ (EEPROM) | Wireless module (SDA) |
| 5 | MODE | MODE_E8A | I | For Flash writing | For Flash writing |
| 6 | P4_3/XCIN | — | I | | |
| 7 | P4_4/XCOUT | — | I | | |
| 8 | RESET | N_RESET | O | RESET | RESET |
| 9 | XOUT/P4_7 | XL1 | | 20 MHz | 20 MHz |
| 10 | VSS/AVSS | VSS | | | |
| 11 | P4_6/XIN | XL1 | | 20 MHz | 20 MHz |
| 12 | VCC/AVCC | VCC | | | |
| 13 | P2_7/TRDIOD1 | CTL_+VA | O | Selector (+VA) | Selector (+VA) |
| 14 | P2_6/TRDIOC1 | SCK_VOL | O | Selector | Selector |
| 15 | P2_5/TRDIOB1 | SCO_VOL | O | Selector | Selector |
| 16 | P2_4/TRDIOA1 | NCS_VOL | O | Selector | Selector |
| 17 | P2_3/TRDIOD0 | — | I | | |
| 18 | P2_2/TRDIOC0 | — | I | | |
| 19 | P2_1/TRDIOB0 | CTL_LED 2 | O | STATUS indicator green | STATUS indicator green |
| 20 | P2_0/TRDIOA0/TRDCLK | CTL_LED1 | O | STATUS indicator red | STATUS indicator red |
| 21 | P1_7/TRAIO/INT1 | ADB_INT | I | | Wireless module (INT) |
| 22 | P1_6/CLK0 | DET_TEST | I | Speaker TEST | Speaker TEST |
| 23 | P1_5/RXD0/(TRAIO)/ (INT1) | TXD-IPOD | I | iPod (RXD) | |
| 24 | P1_4/TXD0 | RXD-IPOD | O | iPod (TXD) | |
| 25 | P1_3/KI3/AN11 | DET_MODEL | I | PDX-30 (H) / PDX-50 (L) | PDX-30 (H) / PDX-50 (L) |
| 26 | N.C. | | | | |
| 27 | P4_5/INT0 | IR_IN | I | Remote control | |
| 28 | P6_6/INT2/TXD1 | SPI_SIMO | O | For E8A (TX) | For E8A (TX) |
| 29 | P6_7/INT3/RXD1 | SPI_SOMI | I | For E8A (RX) | For E8A (RX) |
| 30 | P1_2/KI2/AN10 | NRESET_CP | O | Verification chip (RESET) | |
| 31 | P1_1/KI1/AN9 | KEY_VOL- | I | Volume down | Volume down |
| 32 | P1_0/KI0/AN8 | KEY_VOL+ | I | Volume up | Volume up |
| 33 | P3_1/TRBO | ADB_RESET | O | | Wireless module (RESET) |
| 34 | P3_0/TRAO | NDET_PROT | I | DAMP (PROT) | DAMP (PROT) |
| 35 | P6_5/CLK1 | SPI_CLK | O | | |

| Pin No. | Port Name | Function Name | I/O | Detail of Function | |
|---------|-----------|---------------|-----|--------------------------------------|----------------------------------|
| | | | | PDX-30 | PDX-50 |
| 36 | P6_4 | NMUTE_AMP | O | DAMP (MUTE) | DAMP (MUTE) |
| 37 | P6_3 | NSLEP_AMP | O | DAMP (SLEEP) | DAMP (SLEEP) |
| 38 | P0_7/ANO | DET_VIPOD | AD | iPod (abnormal voltage detection) | |
| 39 | N.C. | | | | |
| 40 | N.C. | | | | |
| 41 | P0_6/AN1 | KEY_GRP | AD | | GROP_SW |
| 42 | P0_5/AN2 | GroupSelBit2 | O | | GroupSelBit2 |
| 43 | P0_4/AN3 | GroupSelBit1 | O | | GroupSelBit1 |
| 44 | P4_2/VREF | VREF | — | VREF | VREF |
| 45 | P6_0/TREO | DET_IPAP | I | iPod (Power supply ON detection) | |
| 46 | P6_2 | NDET_IPOD | I | iPod (mating and demating detection) | |
| 47 | P6_1 | CTL_IPOWER | O | iPod (Charging control) | |
| 48 | P0_3/AN4 | DET_SPL | AD | Speaker L (protection detection) | Speaker L (protection detection) |
| 49 | P0_2/AN5 | DET_SPR | AD | Speaker R (protection detection) | Speaker R (protection detection) |
| 50 | P0_1/AN6 | DET_LOUD | AD | LOUDNESS | LOUDNESS |
| 51 | P0_0/AN7 | — | I | | |
| 52 | P3_7/SSO | ADB_SSN | O | | |

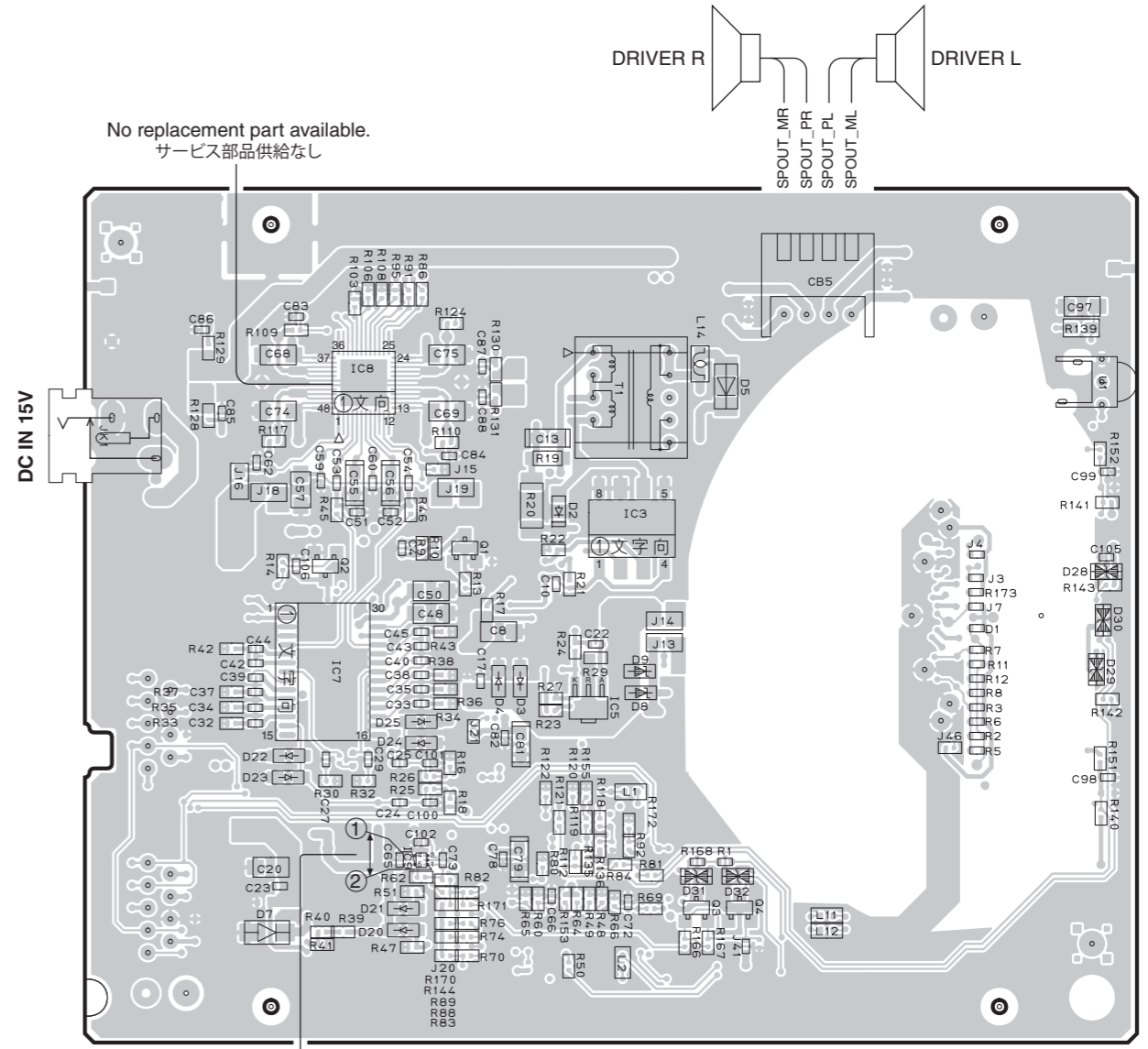
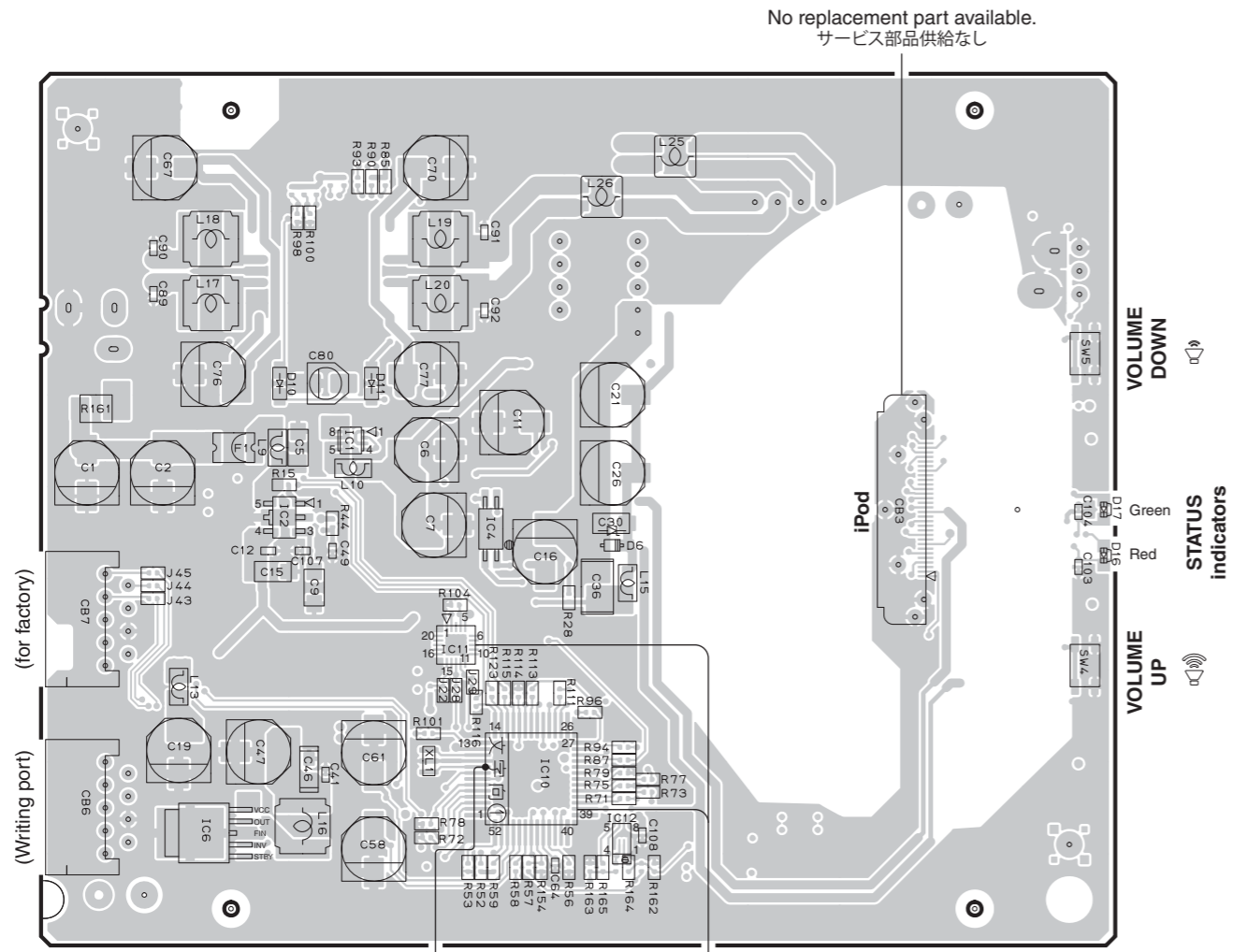
BLOCK DIAGRAM



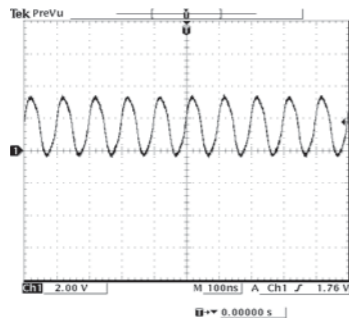
PRINTED CIRCUIT BOARDS

MAIN P.C.B. (Side A)

MAIN P.C.B. (Side B)



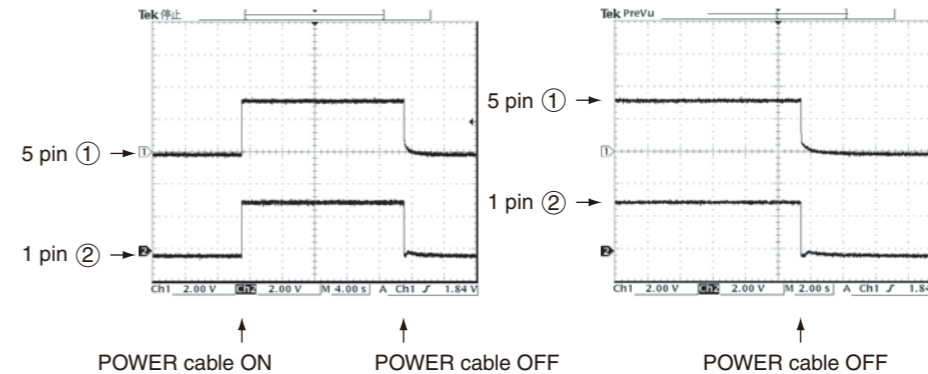
POINT ① XL1 (Pin 9 of IC10)



• Semiconductor Location

| Ref no. | Location | Ref no. | Location | Ref no. | Location | Ref no. | Location |
|---------|----------|---------|----------|---------|----------|---------|----------|
| D1 | J4 | D11 | C4 | D29 | J4 | IC7 | G4 |
| D2 | H4 | D16 | E4 | D30 | J4 | IC8 | G3 |
| D3 | H4 | D17 | E4 | D31 | I5 | IC9 | H5 |
| D4 | H4 | D20 | G5 | D32 | I5 | IC10 | C5 |
| D5 | I3 | D21 | G5 | IC1 | C4 | IC11 | C4 |
| D6 | C4 | D22 | G5 | IC2 | B4 | IC12 | C5 |
| D7 | G5 | D23 | G5 | IC3 | H4 | Q1 | H4 |
| D8 | H4 | D24 | H4 | IC4 | C4 | Q2 | G4 |
| D9 | H4 | D25 | H4 | IC5 | H4 | Q3 | I5 |
| D10 | B4 | D28 | J4 | IC6 | B5 | Q4 | I5 |

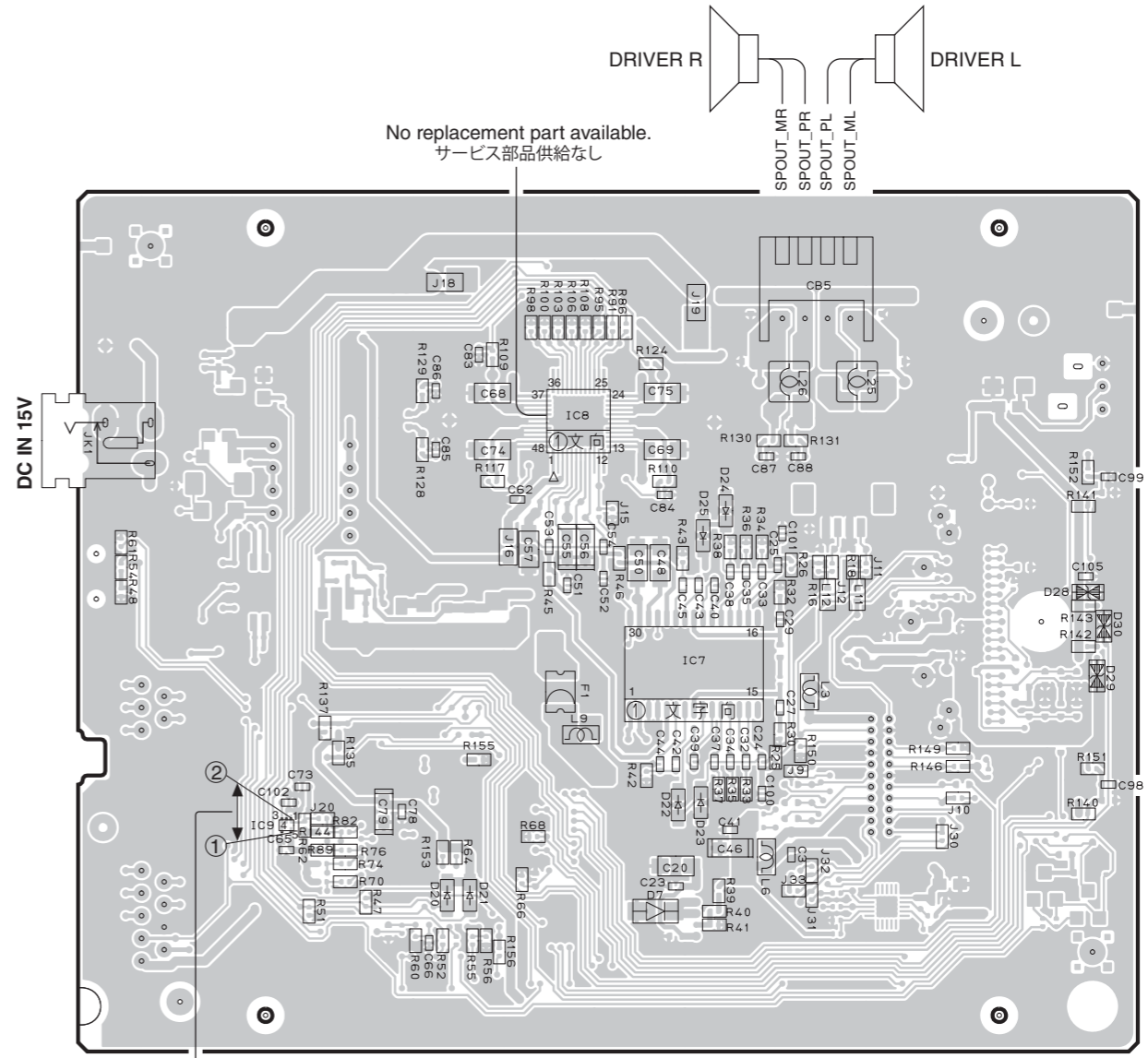
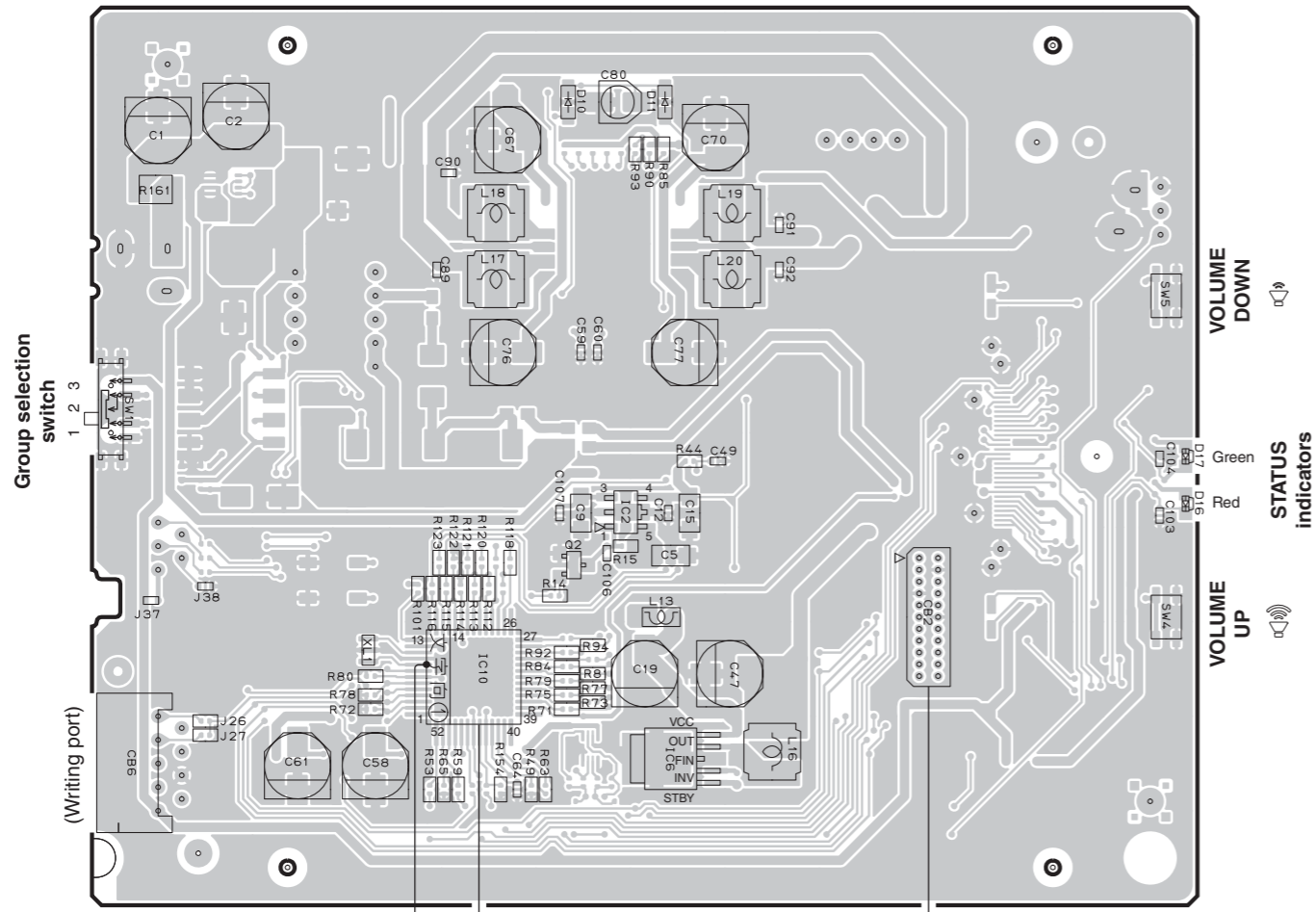
POINT ② ①/ Pin 5, ②/ Pin 1 of IC9



PDX-50

MAIN P.C.B. (Side A)

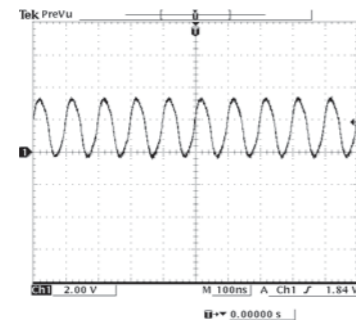
MAIN P.C.B. (Side B)



① No replacement part available.
サービス部品供給なし

WIRELESS MODULE

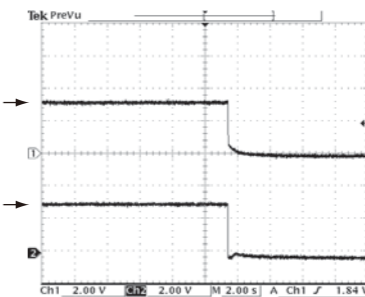
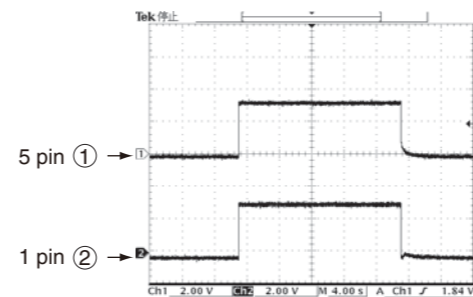
POINT ① XL1 (Pin 9 of IC10)



● Semiconductor Location

| Ref no. | Location | Ref no. | Location | Ref no. | Location |
|---------|----------|---------|----------|---------|----------|
| D7 | H5 | D22 | H5 | IC2 | C4 |
| D10 | C3 | D23 | H5 | IC6 | C5 |
| D11 | C3 | D24 | H4 | IC7 | H4 |
| D16 | E4 | D25 | H4 | IC8 | G3 |
| D17 | E4 | D28 | I4 | IC9 | G5 |
| D20 | G5 | D29 | I4 | IC10 | B5 |
| D21 | G5 | D30 | I4 | Q2 | C4 |

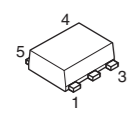
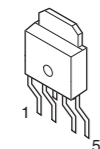
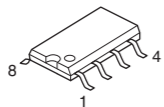
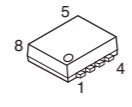
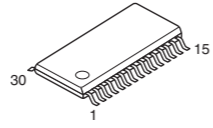
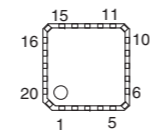
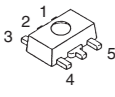
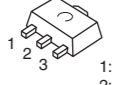
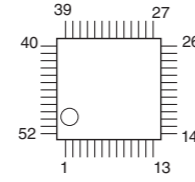
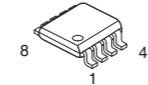
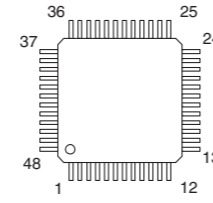
POINT ② ①/ Pin 5, ②/ Pin 1 of IC9



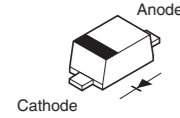
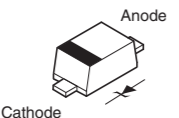
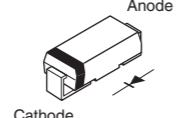
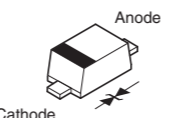
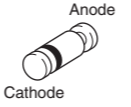
↑ POWER cable ON ↑ POWER cable OFF ↑ POWER cable OFF

■ PIN CONNECTION DIAGRAMS

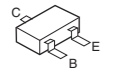
• ICs

| | | | | | |
|---|---|--|---|--|--|
| <p>BD5230FVE-TR</p>  | <p>BD9870FPS-E2</p>  | <p>DPA424GN-TL</p>  | <p>ECH8605-TL-E</p>  | <p>LC75348M</p>  | <p>MFI341S2163</p>  |
| <p>NJM2370U05</p>  <p>1. CONTROL 2. GND 3. NOISE BYPASS 4. V_{OUT} 5. V_{IN}</p> | | <p>NJM431U</p>  <p>1: REFERENCE 2: ANODE 3: CATHODE</p> | <p>R5F21246SNFP</p>  | <p>TC7WH125FK</p>  | <p>YDA147-SZE2</p>  |

• Diodes

| | | | | |
|---|--|--|--|---|
| <p>1SS355</p>  | <p>MA8062-L 6.0V UDZS 7.5B</p>  | <p>D1FM3-7063 RB160L-40 TE25</p>  | <p>RSB6.8S 6.8V</p>  | <p>RLS-73 TE-11</p>  |
|---|--|--|--|---|

• Transistor

| |
|---|
| <p>2SC2412K</p>  |
|---|

MEMO

SCHEMATIC DIAGRAMS
MAIN

PDX-30

PDX-30/PDX-50

No replacement part available.
サービス部品供給なし

No replacement part available.
サービス部品供給なし

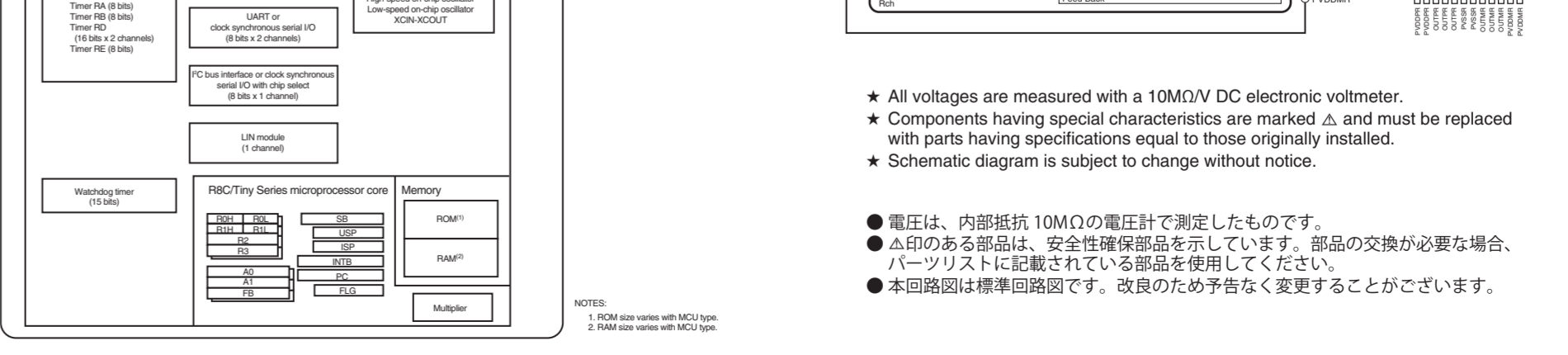
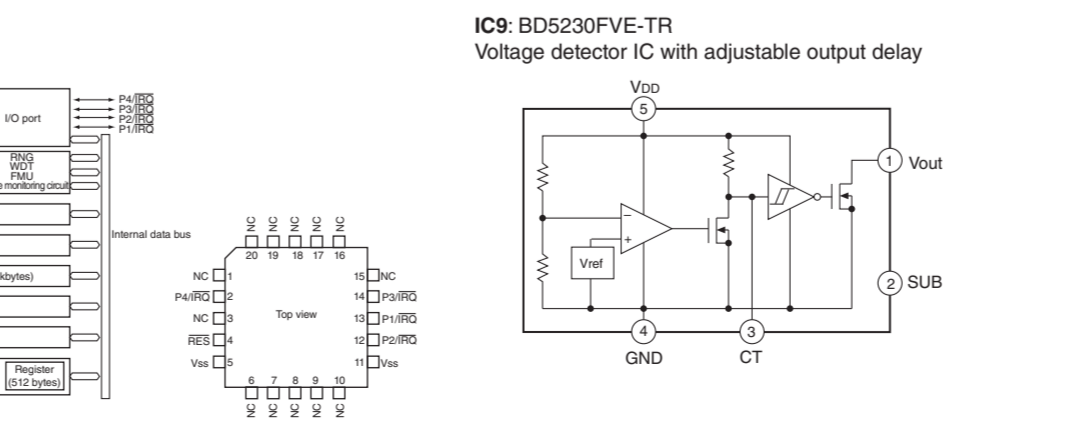
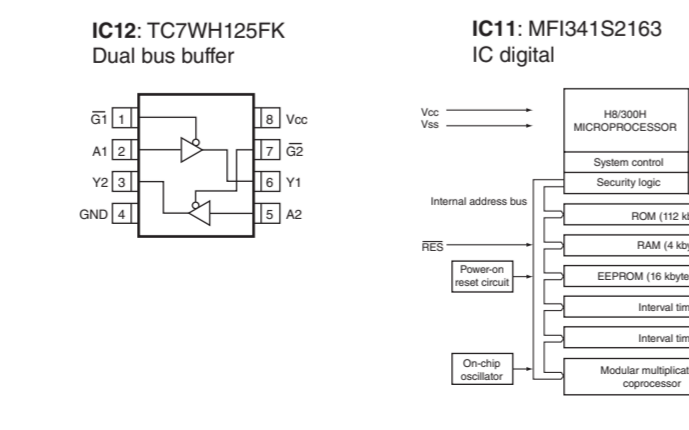
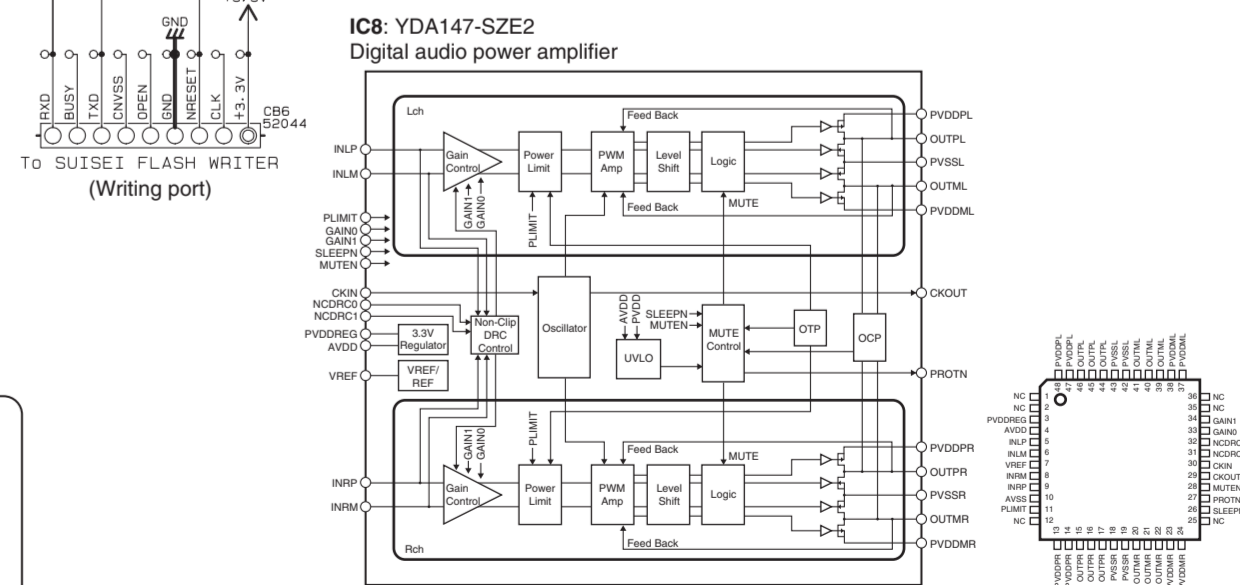
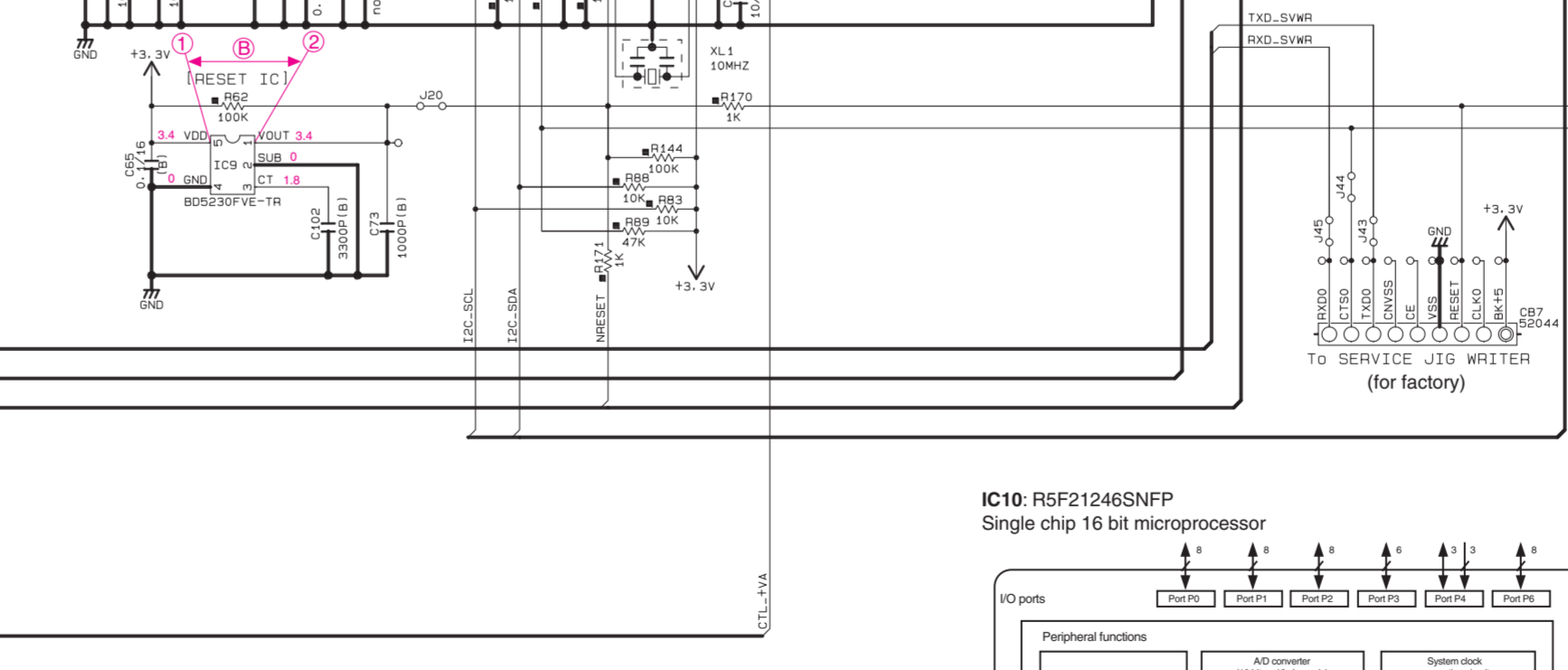
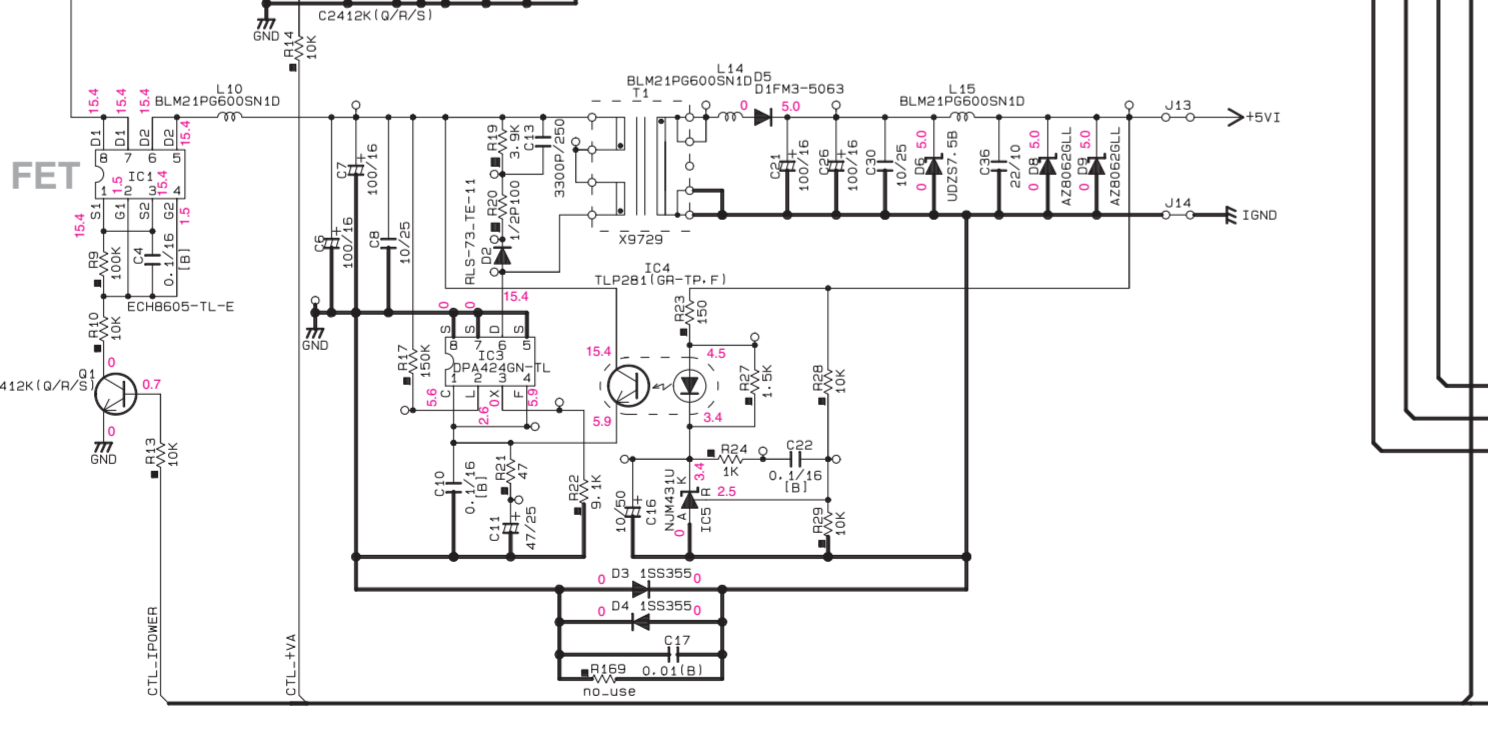
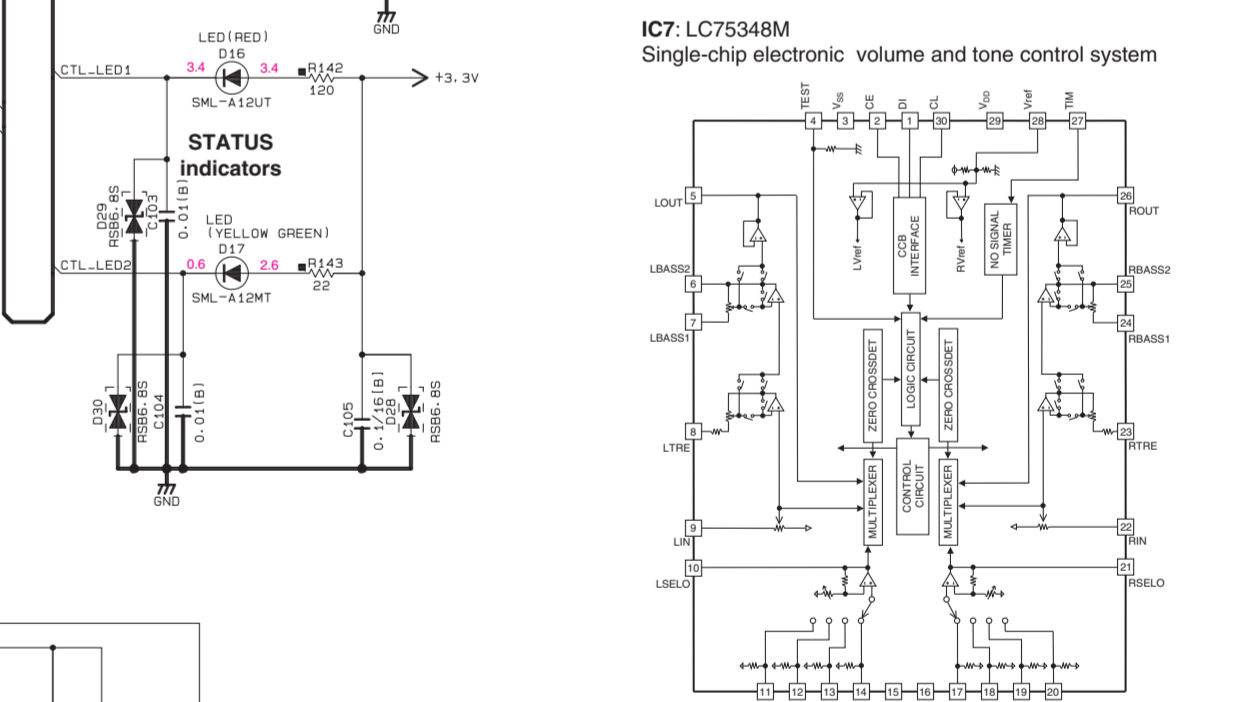
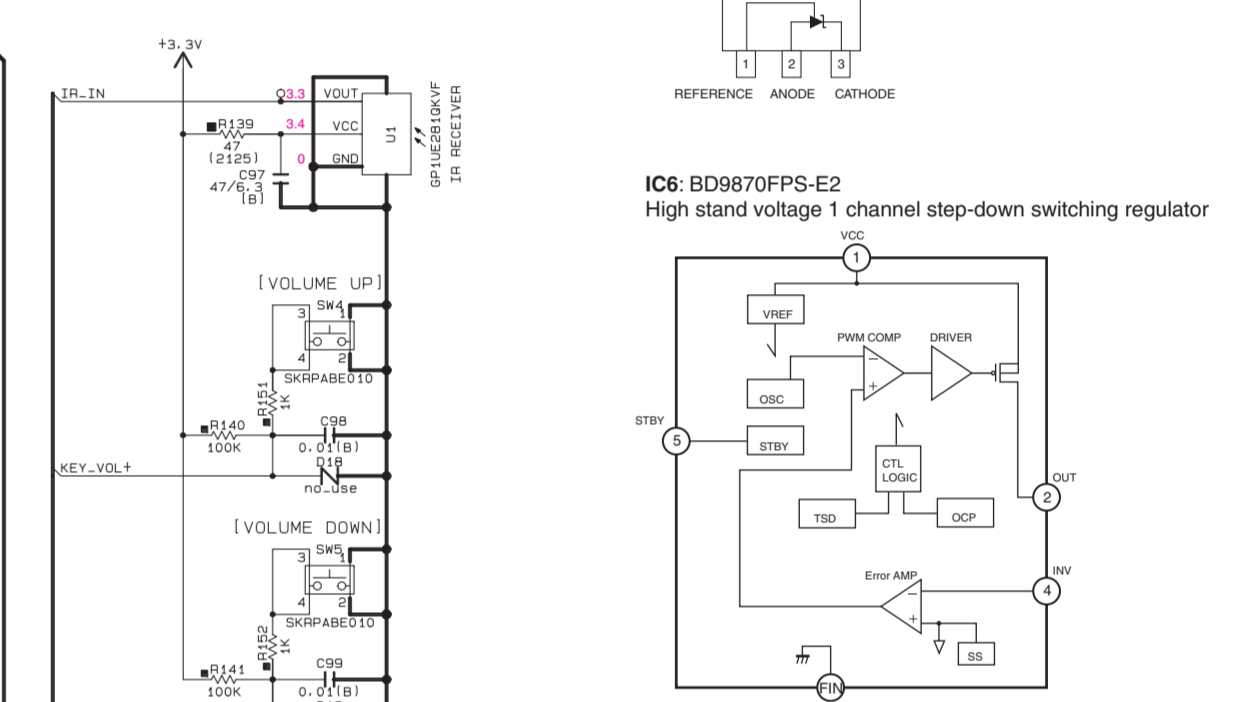
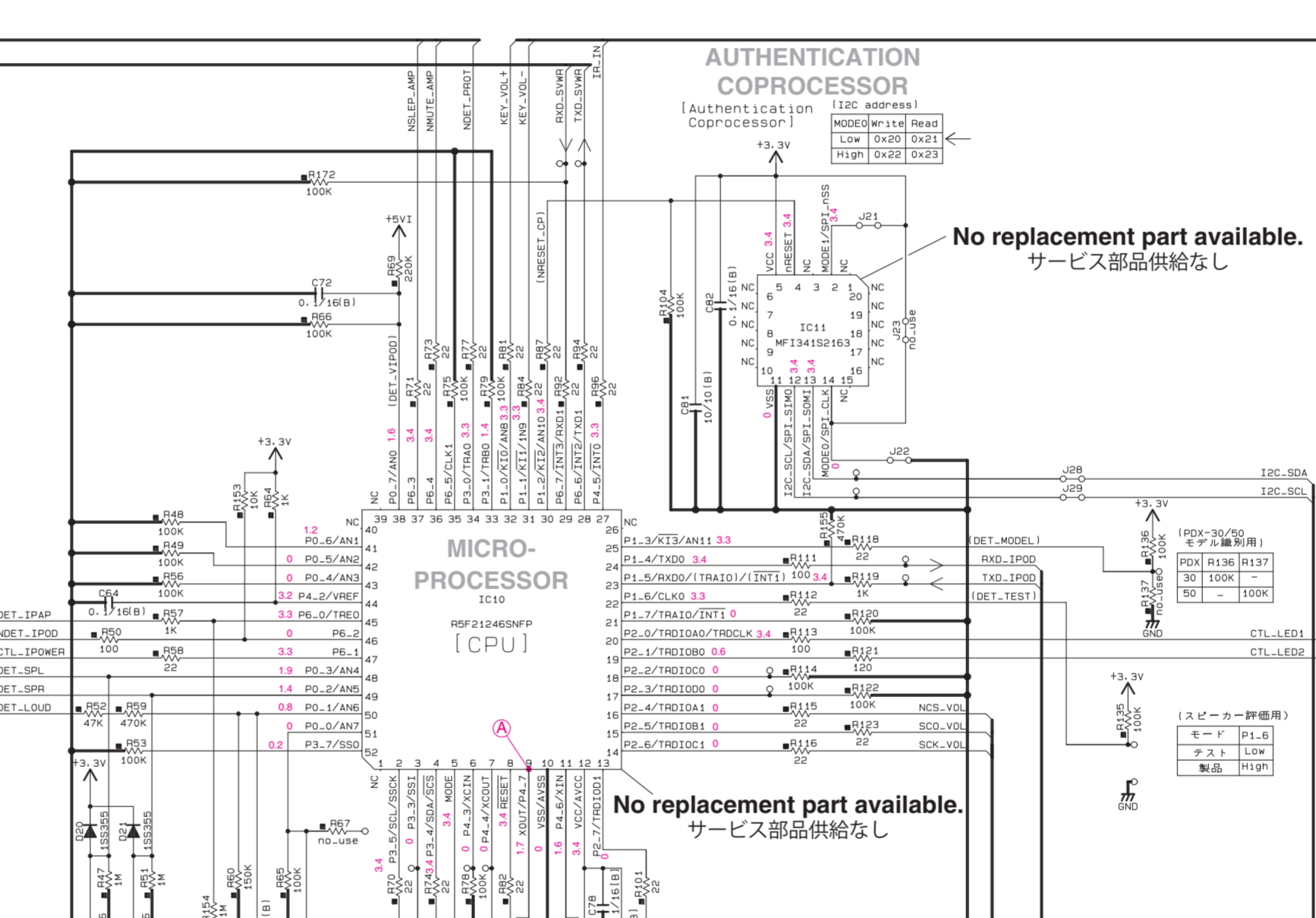
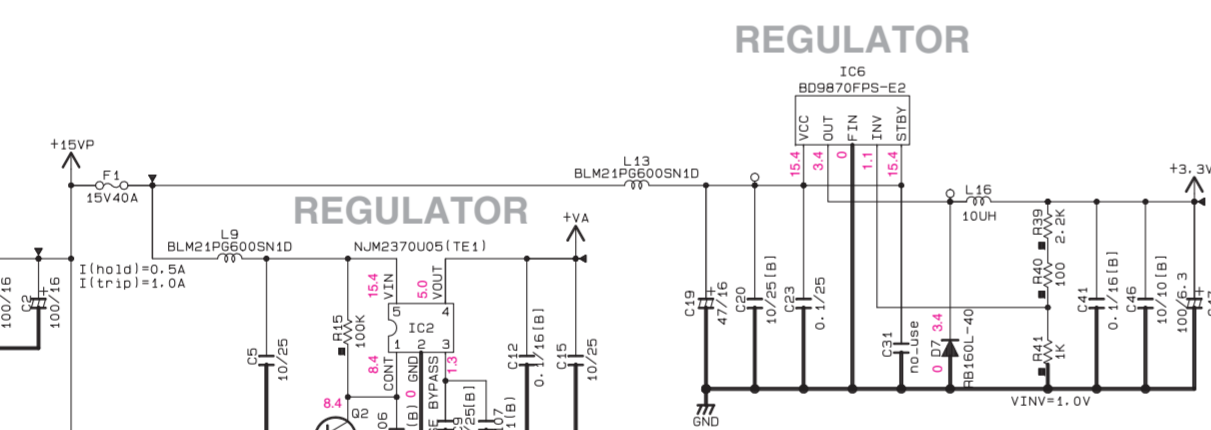
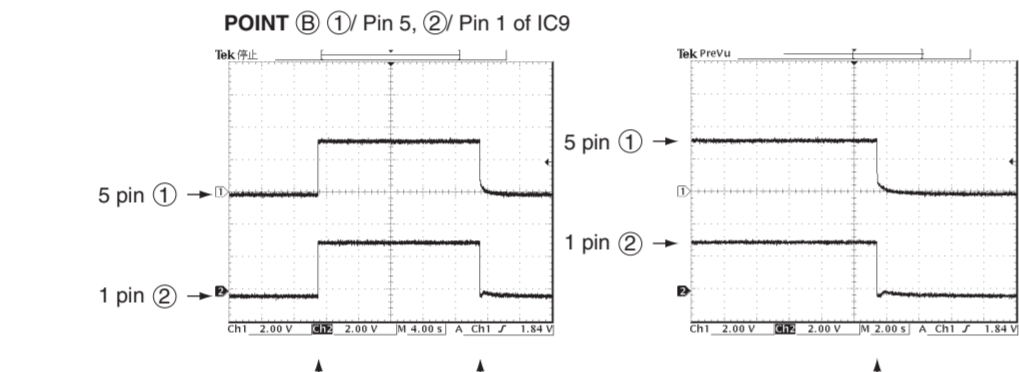
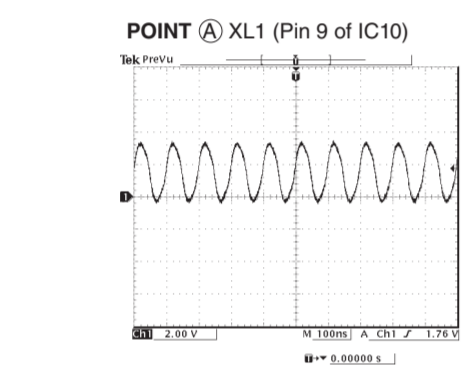
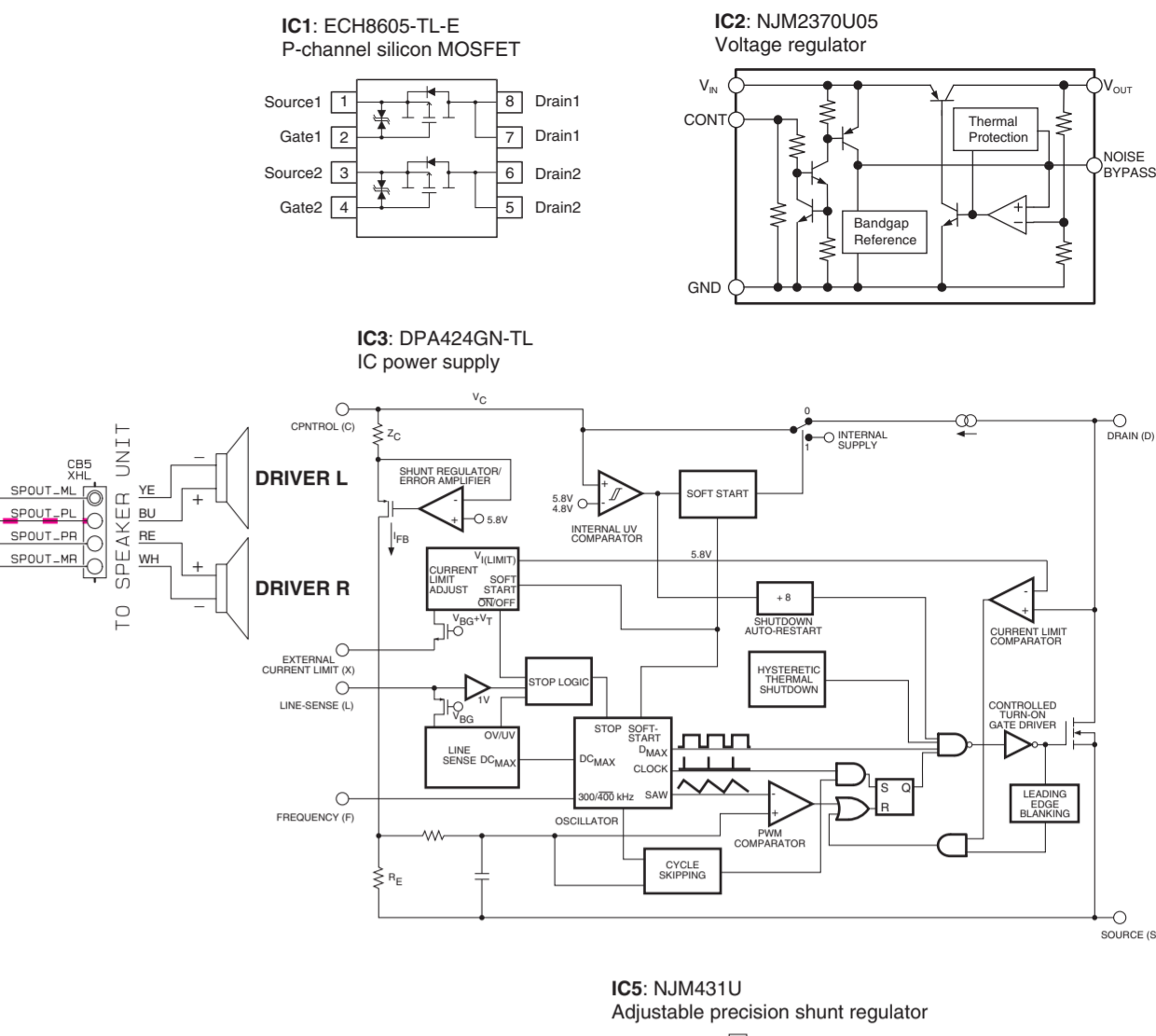
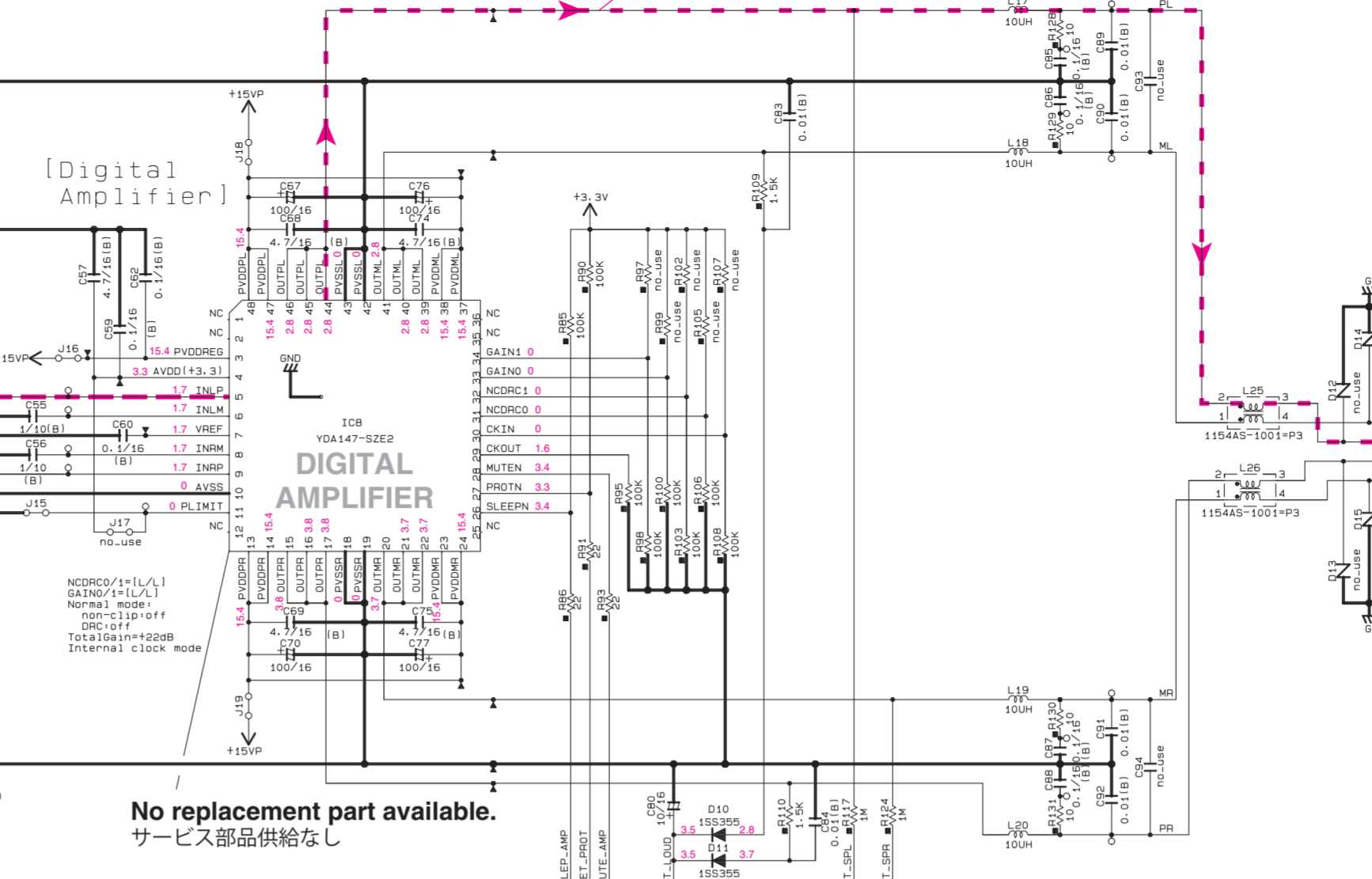
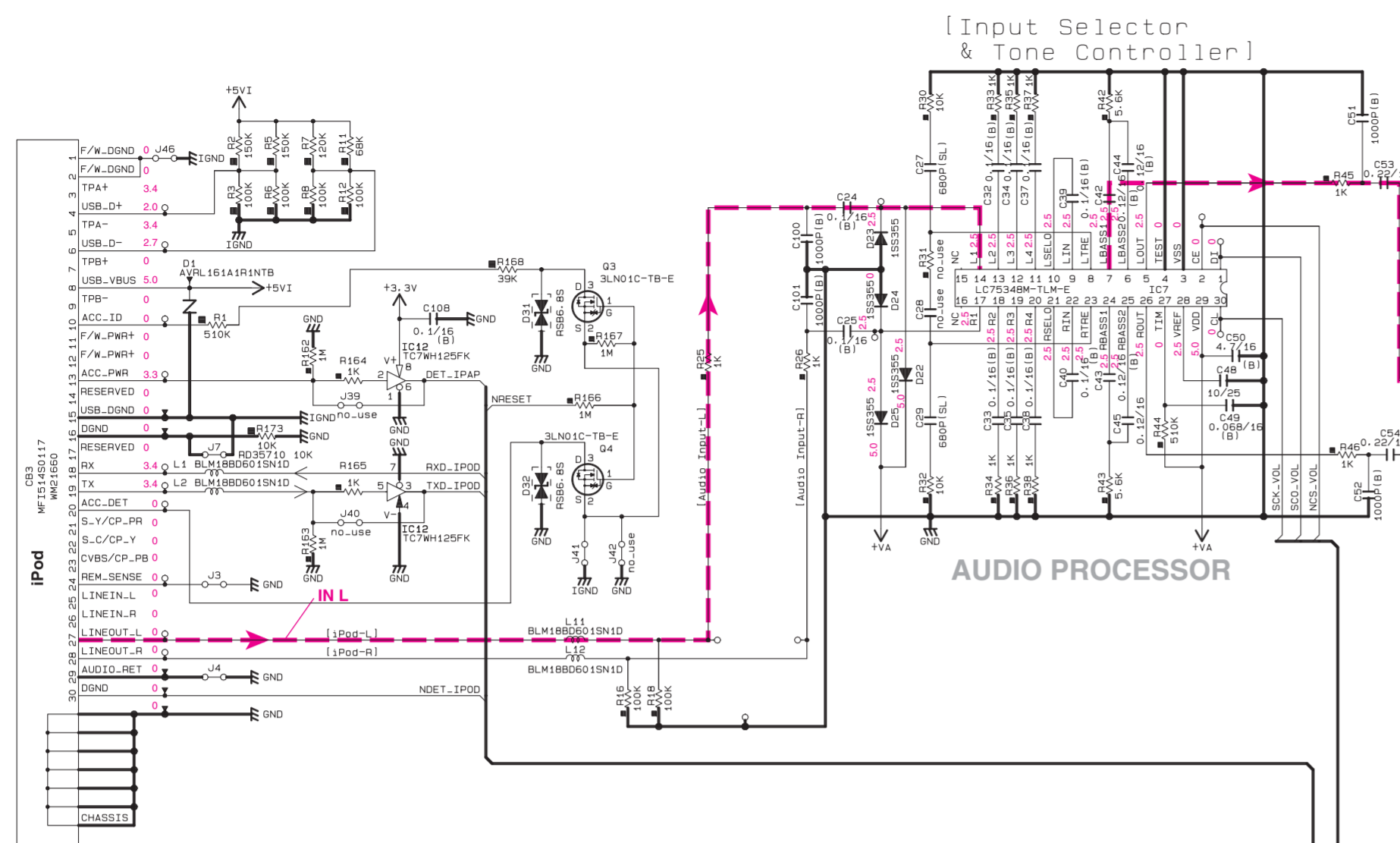
No replacement part available.
サービス部品供給なし

No replacement part available.
サービス部品供給なし

- NOTICE (note)
- (J) JAPAN
 - (U) U.S.A.
 - (C) CANADA
 - (R) GENERAL
 - (T) CHINA
 - (K) KOREA
 - (A) AUSTRALIA
 - (B) BRITISH
 - (E) EUROPE
 - (L) SINGAPORE
 - (S) SOUTH EUROPE
 - (V) TAIWAN
 - (F) RUSSIAN

| REMARKS | PARTS NAME |
|----------|-----------------------------------|
| NO. MARK | CARBON FILM RESISTOR (CPH) |
| CF | CARBON FILM RESISTOR (CF-10) |
| CF | METAL GLAZE FILM RESISTOR |
| CF | METAL FILM RESISTOR |
| CF | METAL GLAZE FILM RESISTOR |
| CF | FINE PITCH CARBON FILM RESISTOR |
| CF | NO. MARK |
| CF | POLYPROPYLENE FILM CAPACITOR |
| CF | NON-CONDUCTIVE CERAMIC CAPACITOR |
| CF | POLYETHYLENE BAFOR FILM CAPACITOR |

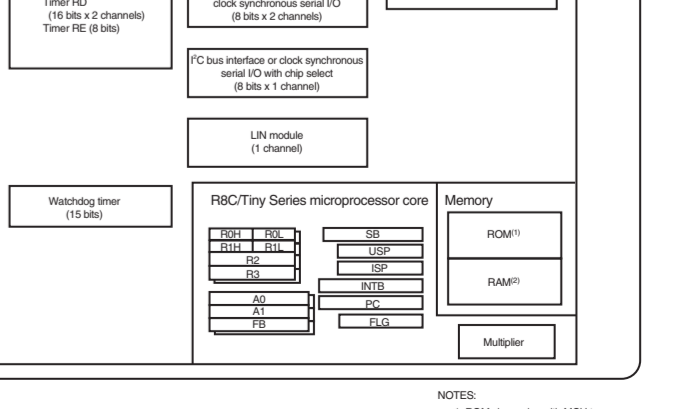
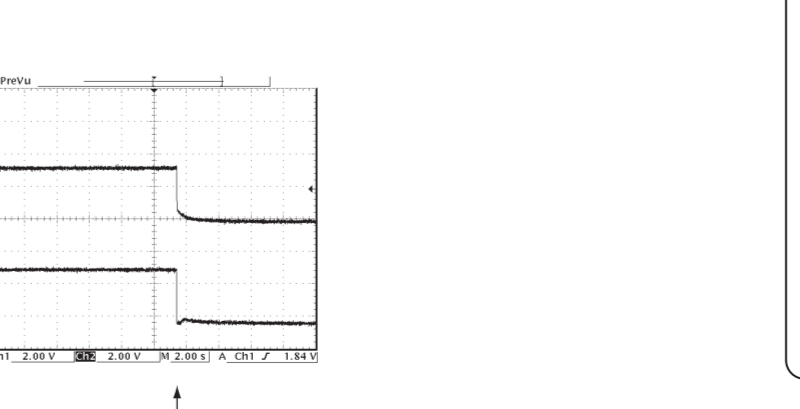
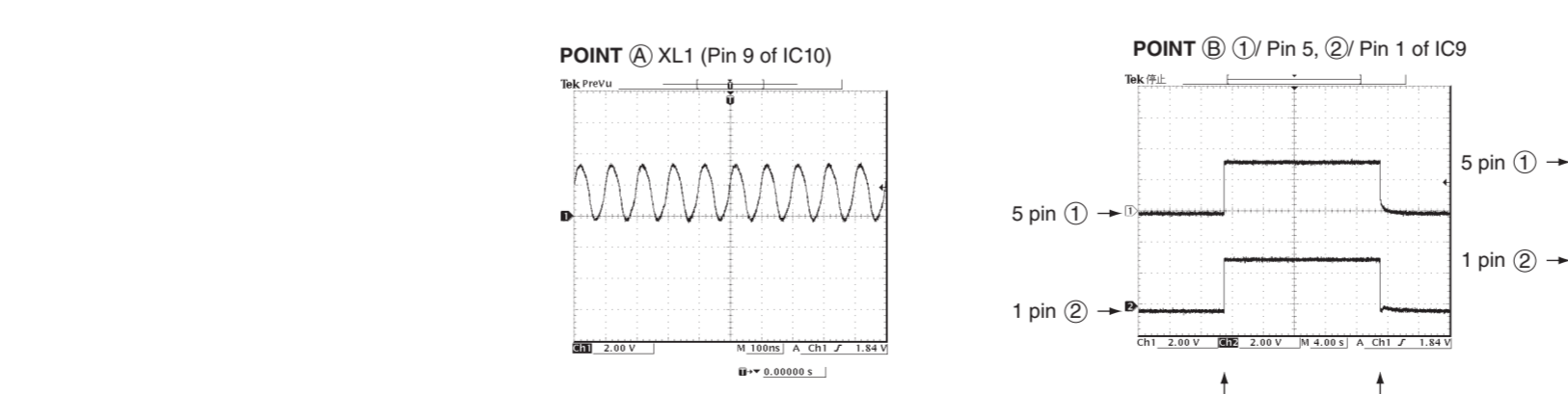
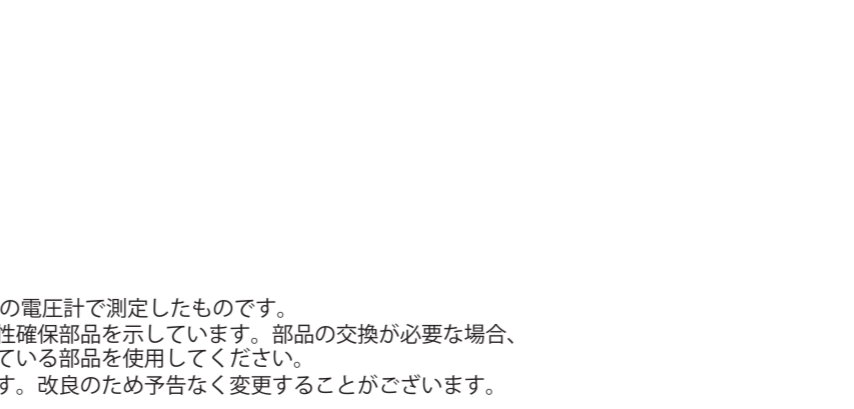
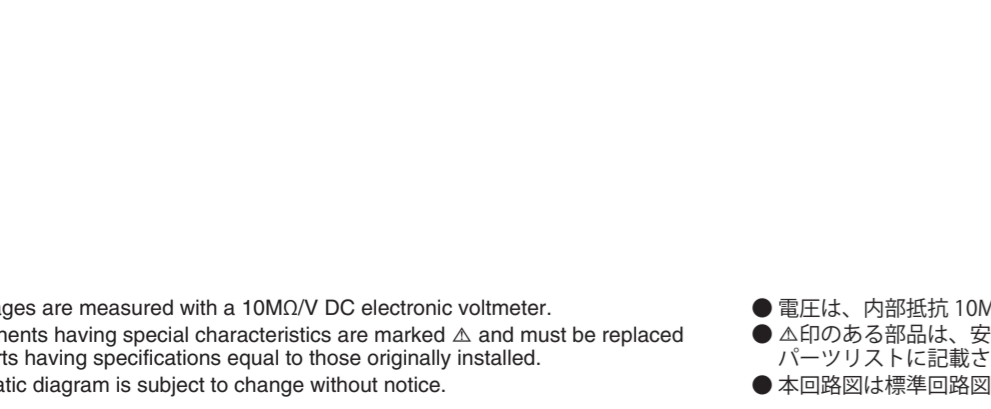
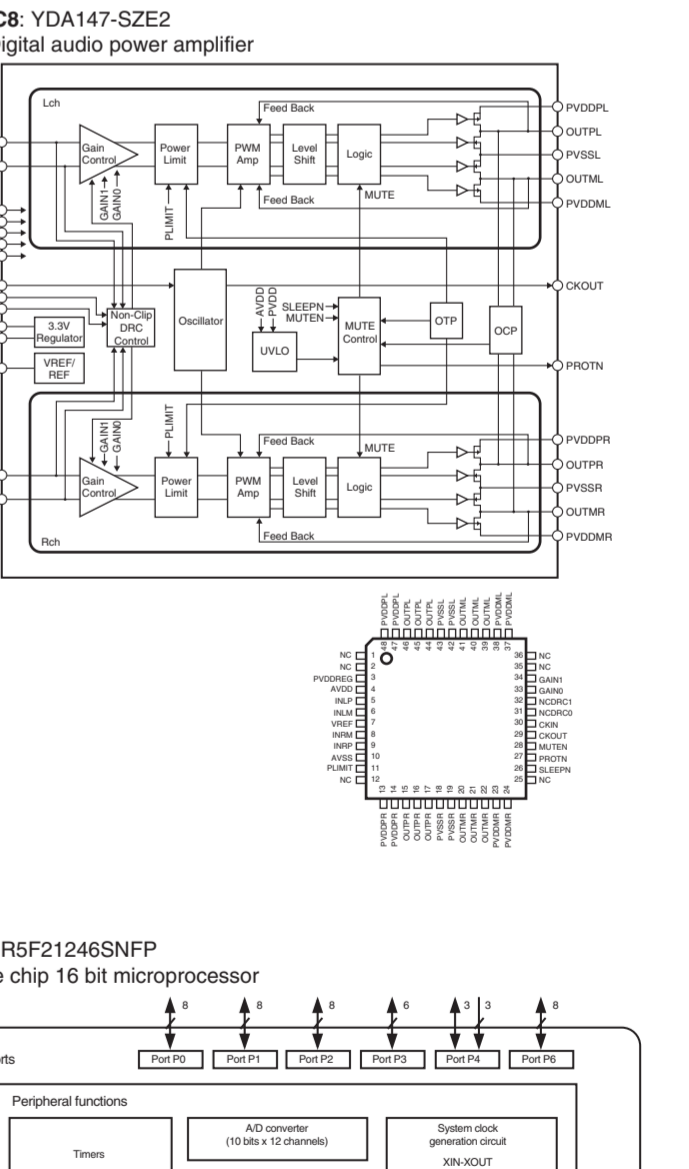
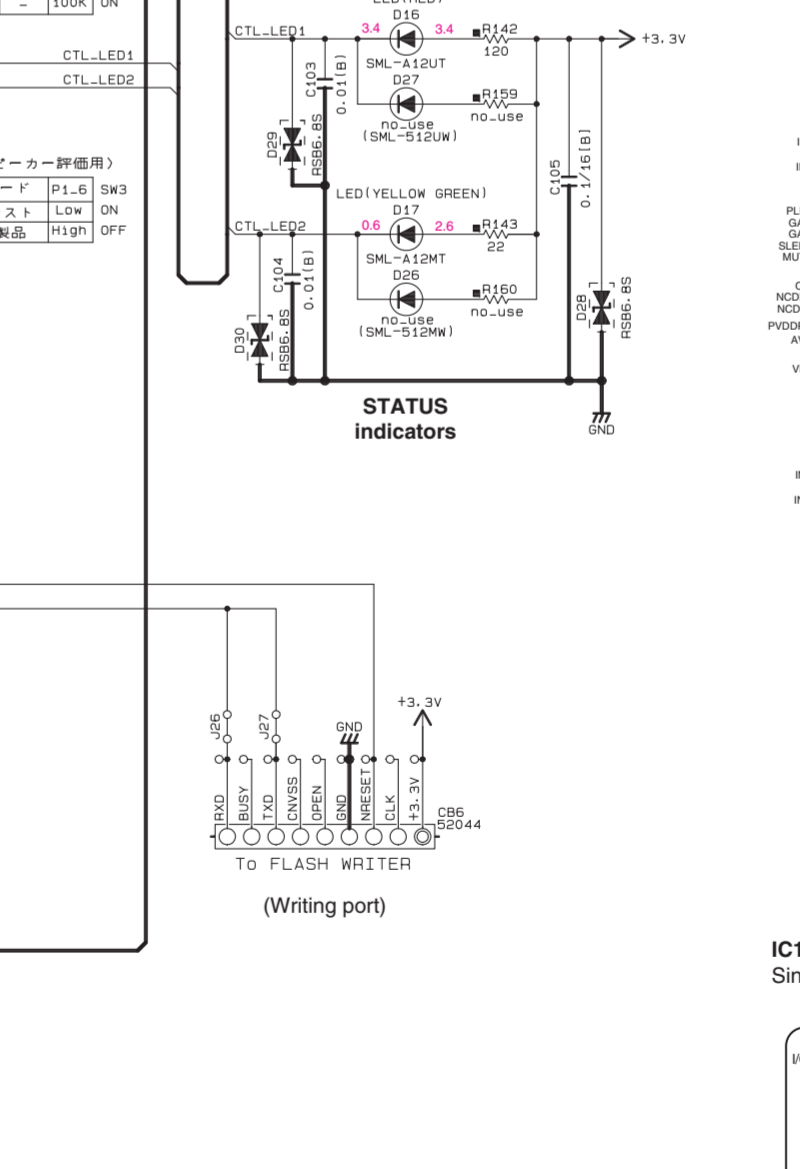
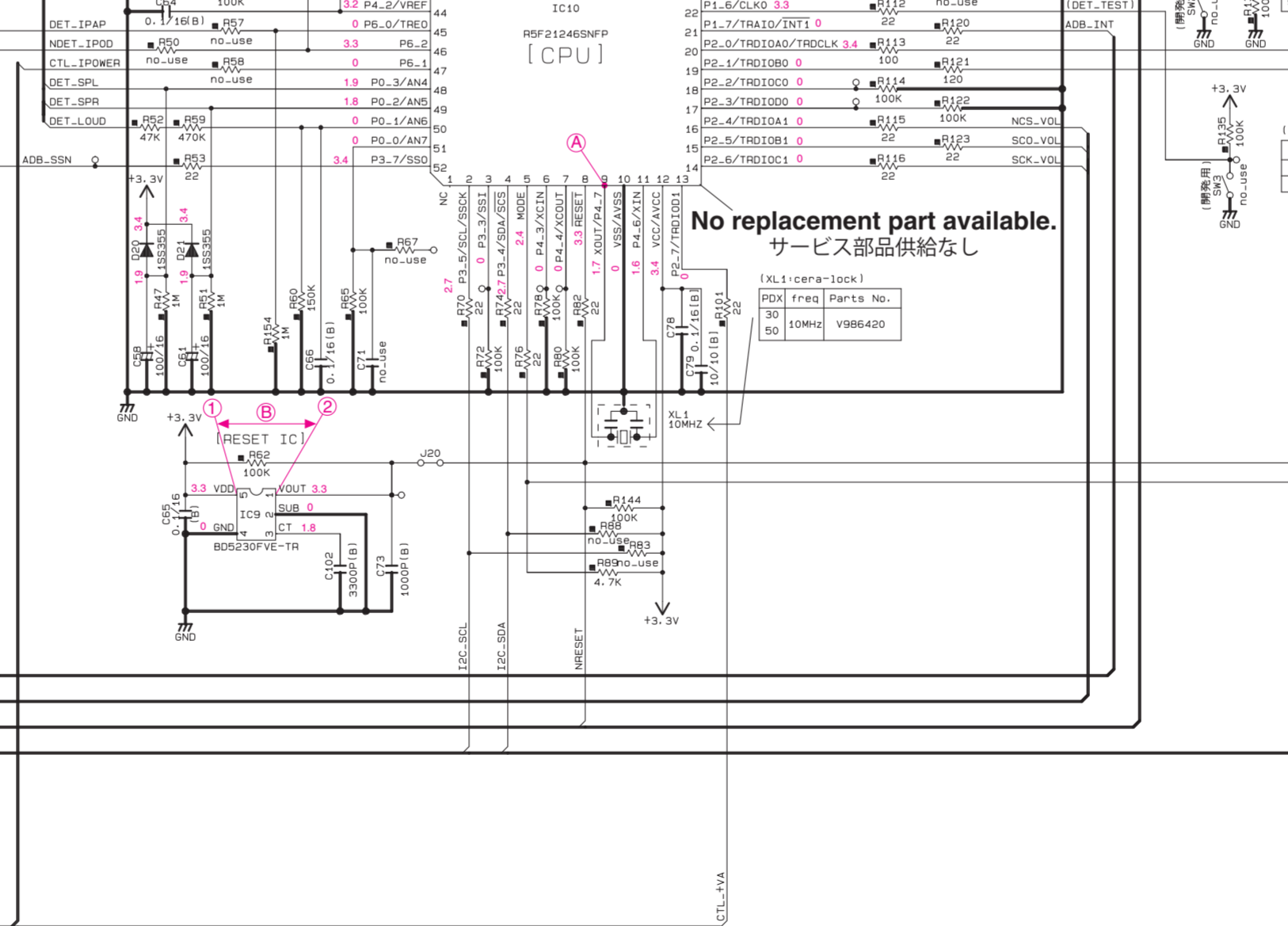
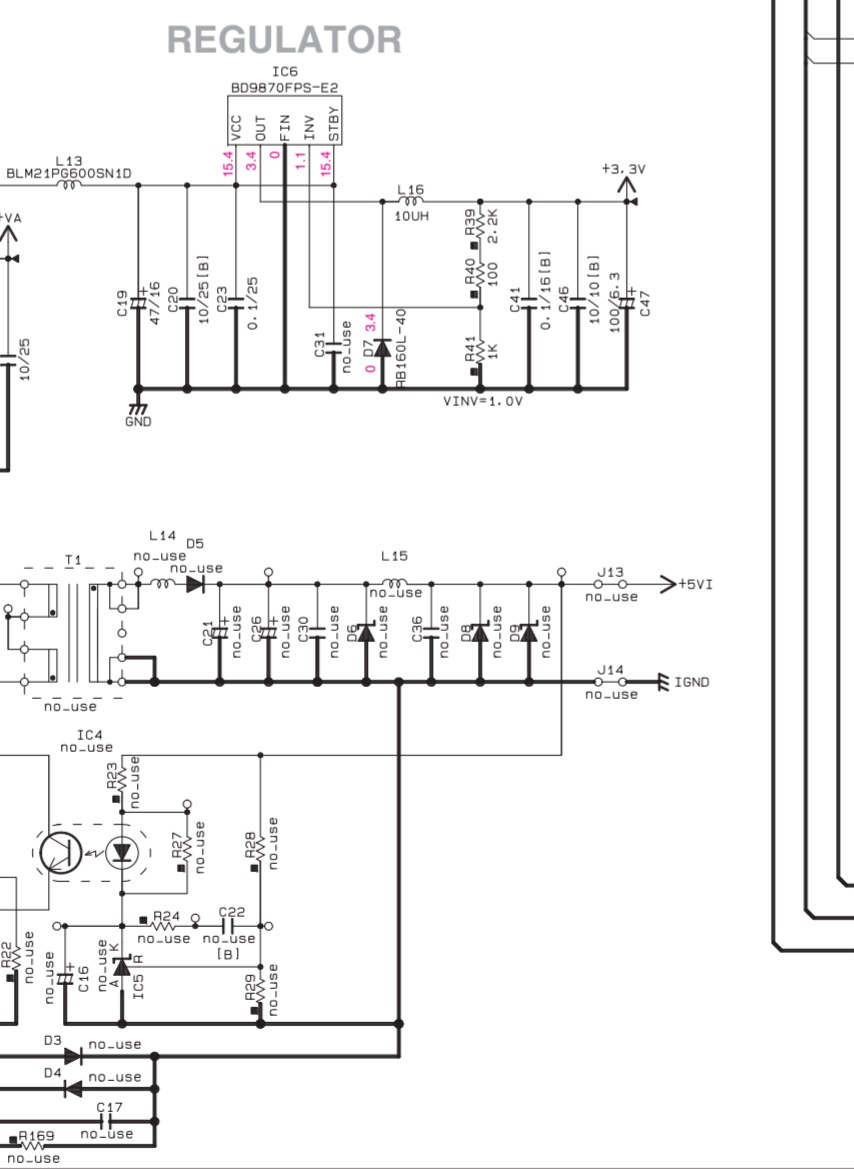
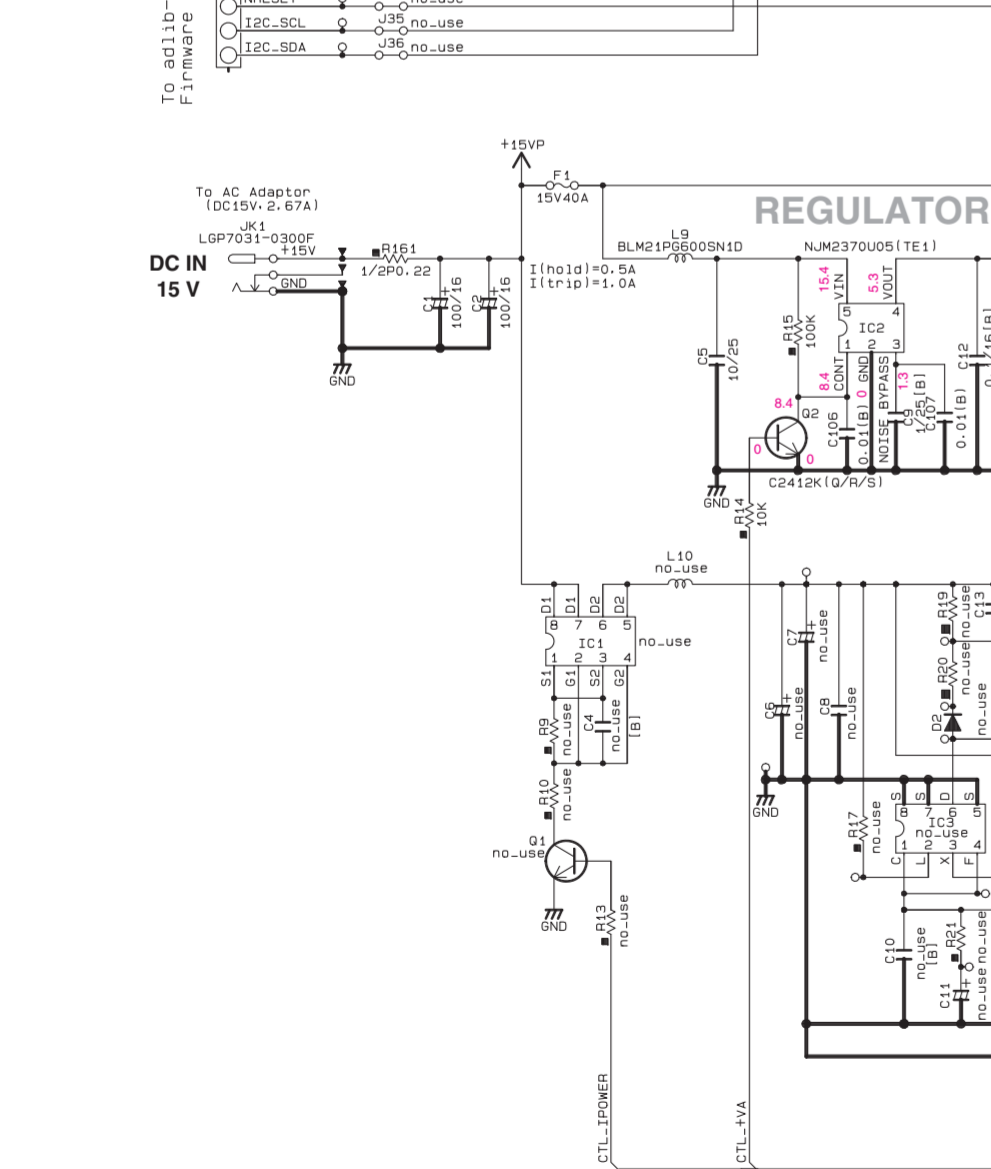
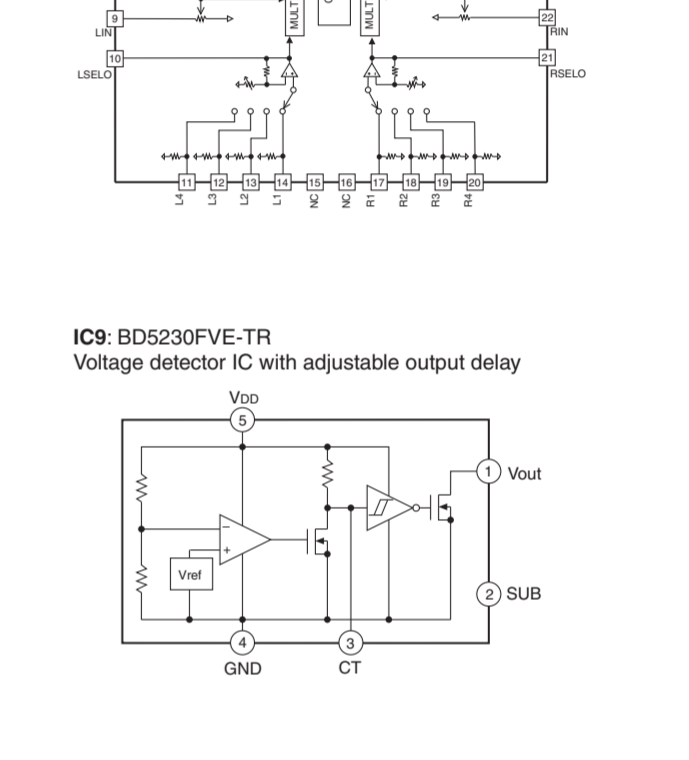
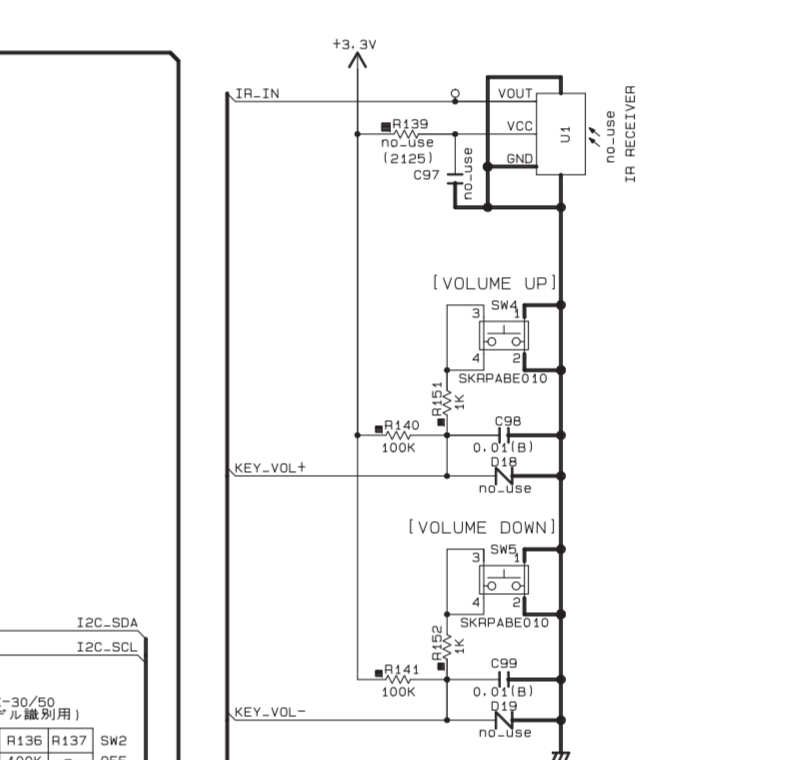
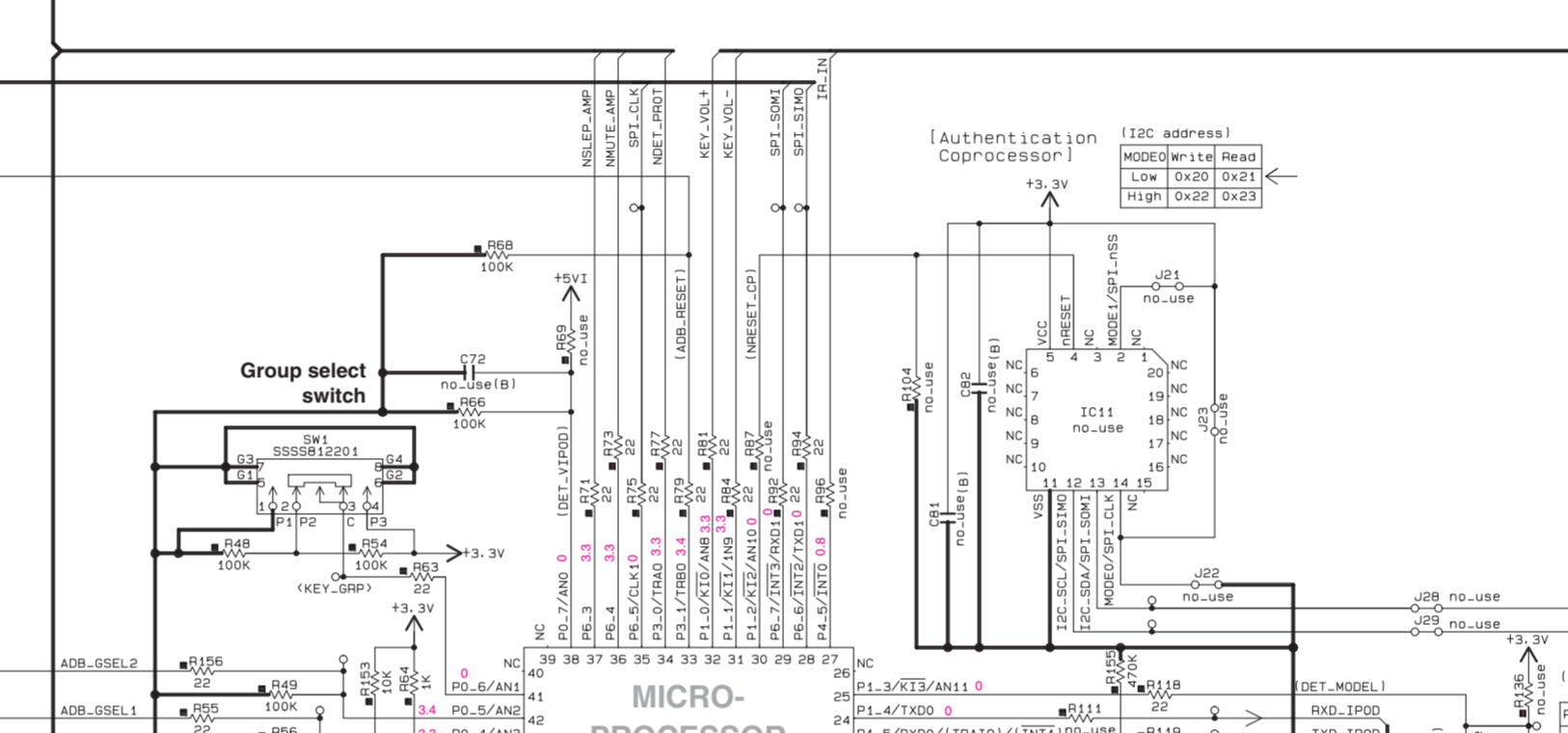
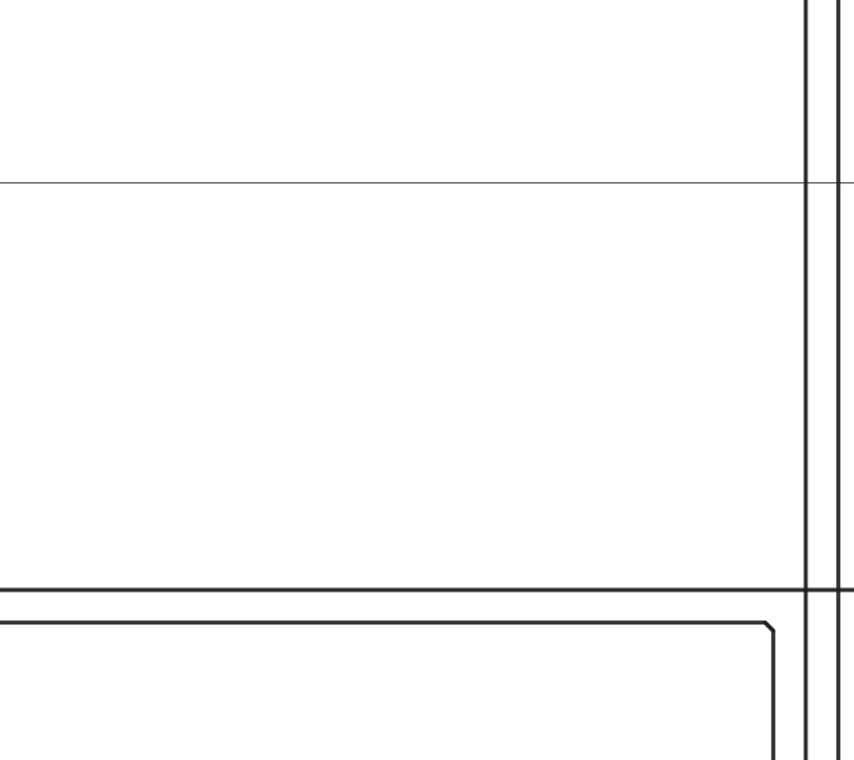
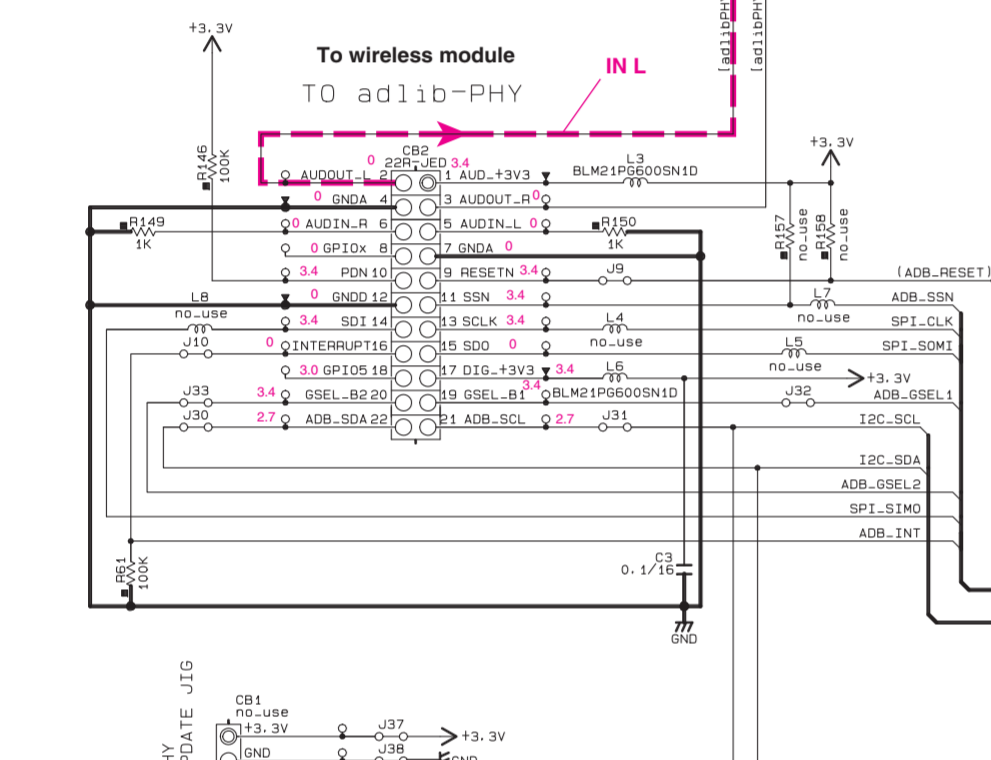
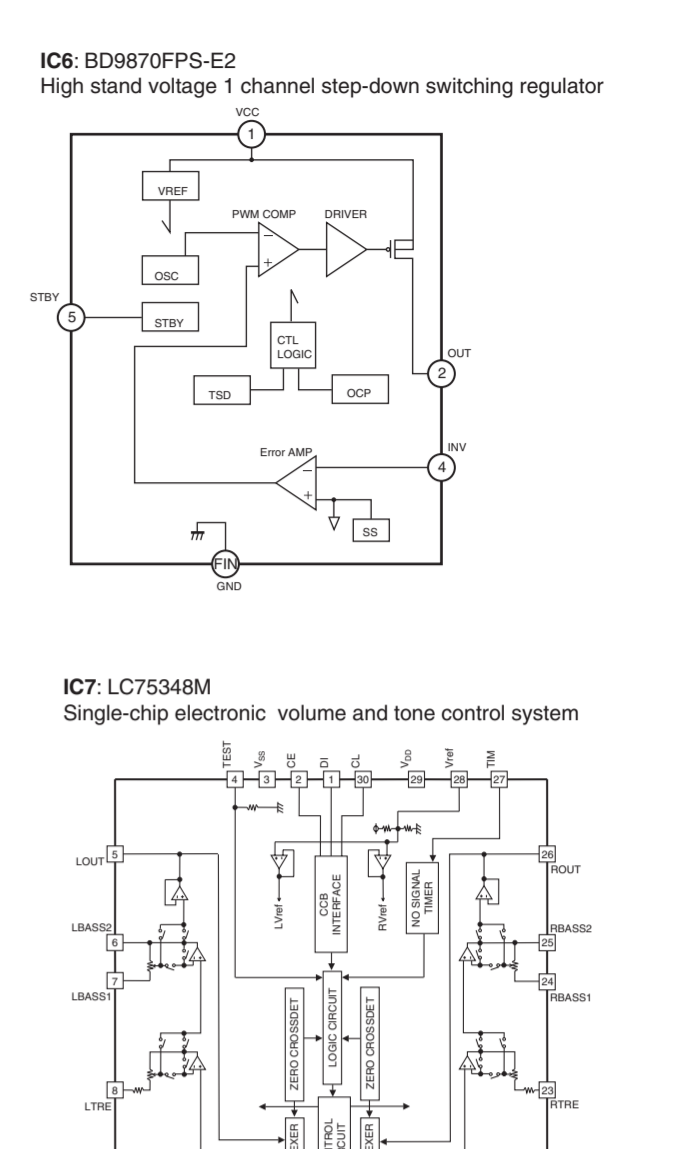
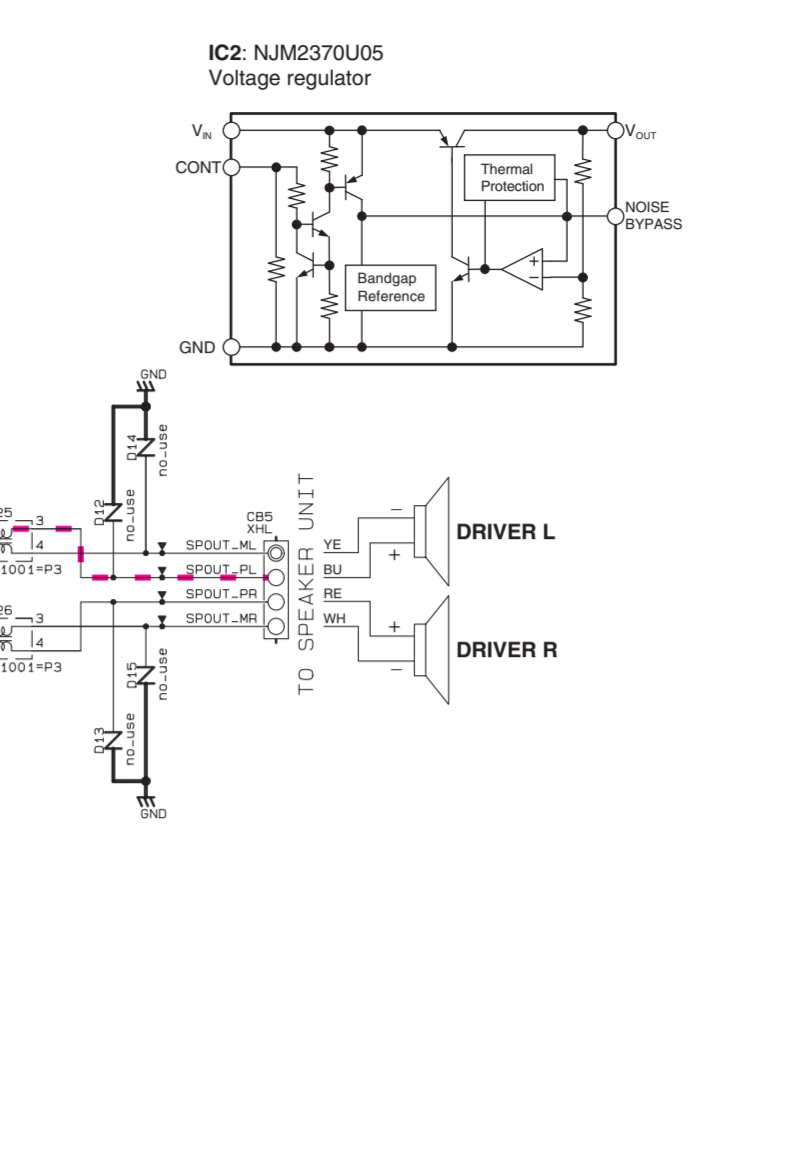
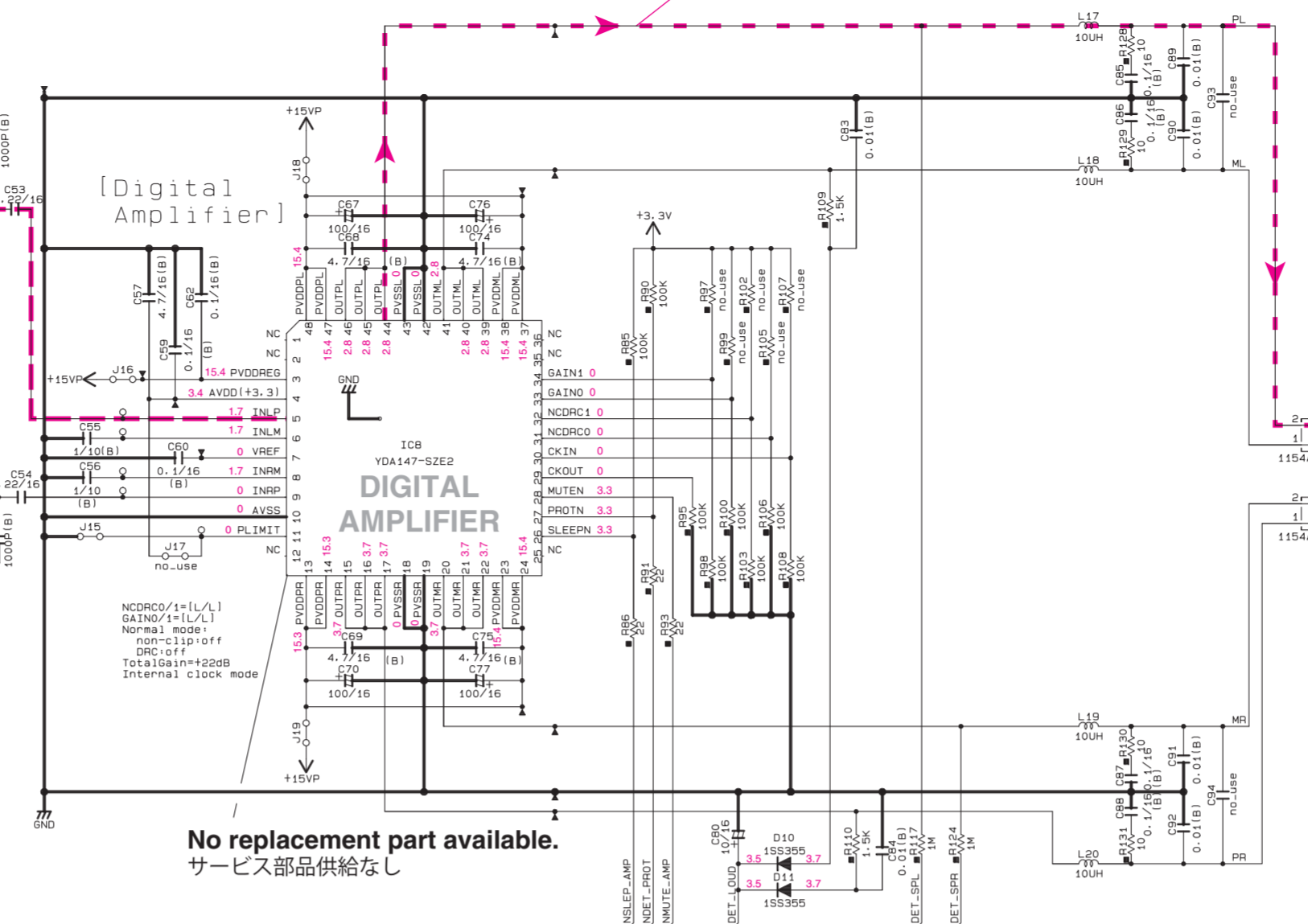
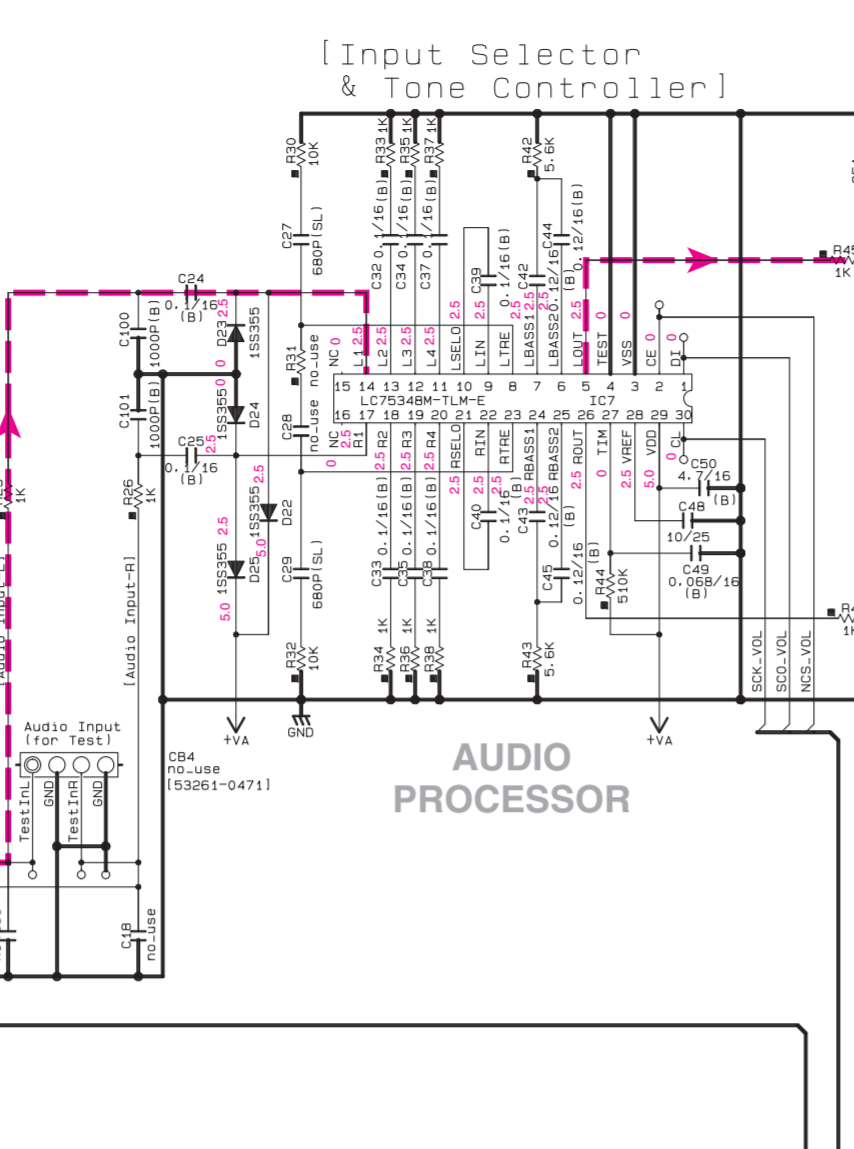
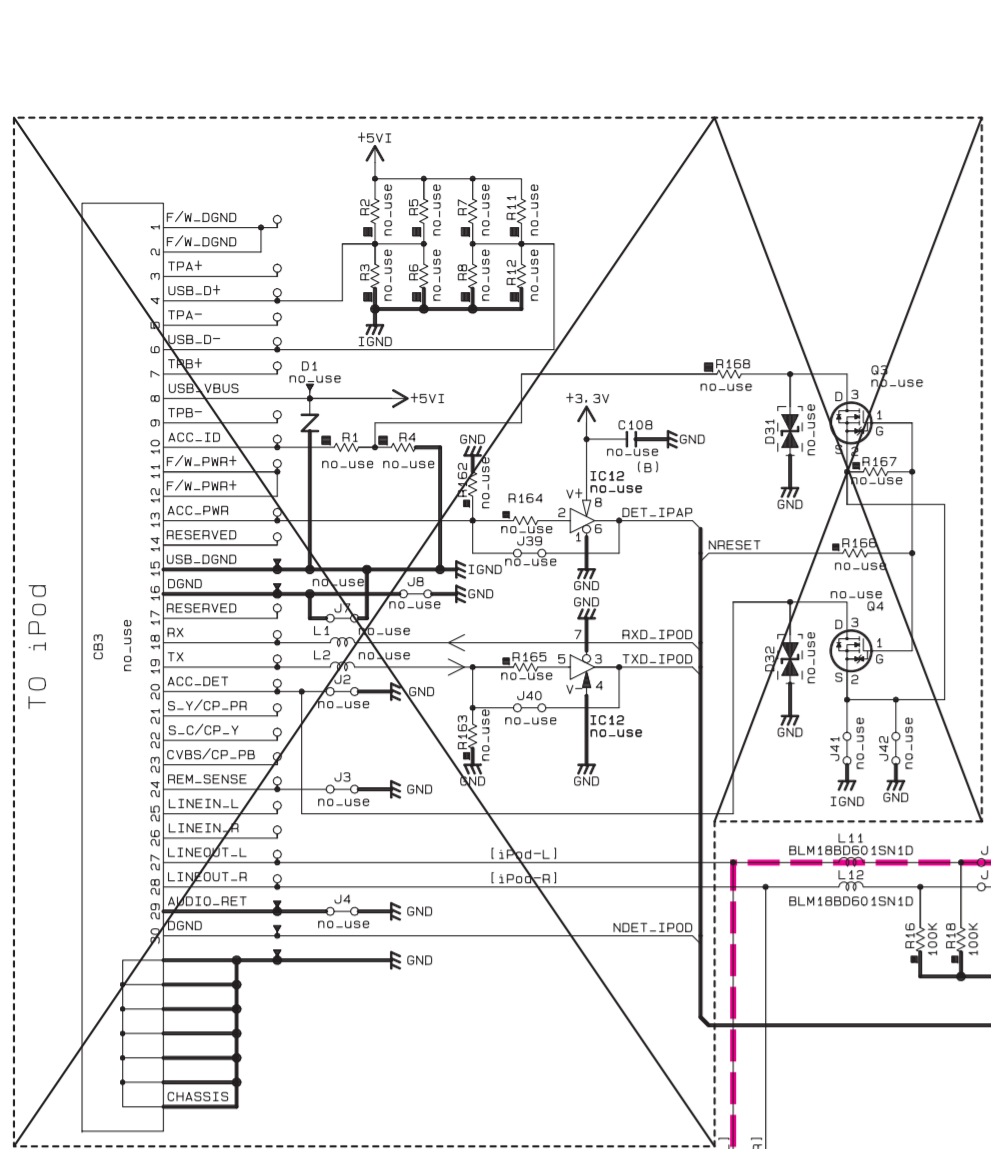
| REMARKS | PARTS NAME |
|----------|-----------------------------------|
| NO. MARK | ELECTROLYTIC CAPACITOR |
| CF | FANFOLW CAPACITOR |
| CF | NO. MARK |
| CF | CERAMIC TUBULAR CAPACITOR |
| CF | POLYESTER FILM CAPACITOR |
| CF | POLYPROPYLENE FILM CAPACITOR |
| CF | POLYETHYLENE BAFOR FILM CAPACITOR |
| CF | NO. MARK |
| CF | POLYETHYLENE BAFOR FILM CAPACITOR |



- ★ All voltages are measured with a 10MΩ/V DC electronic voltmeter.
- ★ Components having special characteristics are marked Δ and must be replaced with parts having specifications equal to those originally installed.
- ★ Schematic diagram is subject to change without notice.

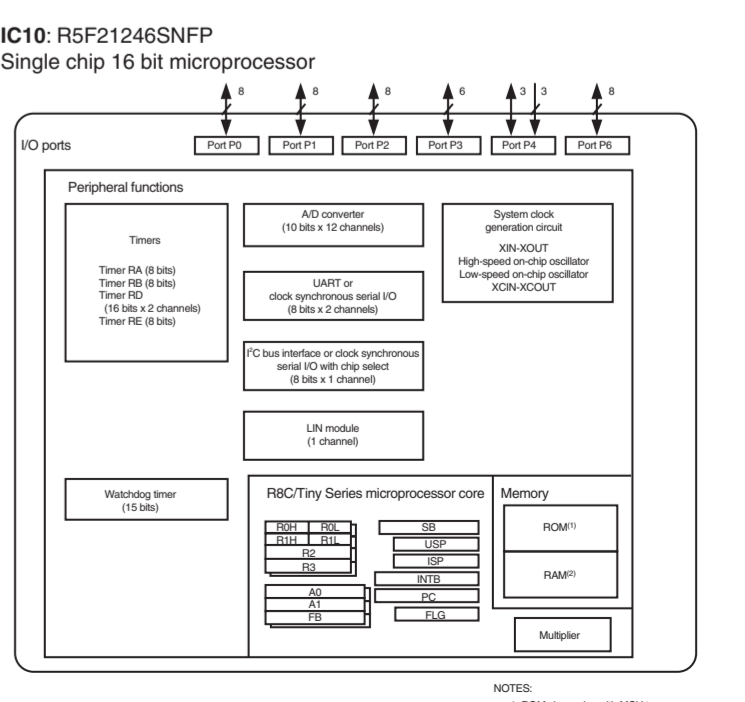
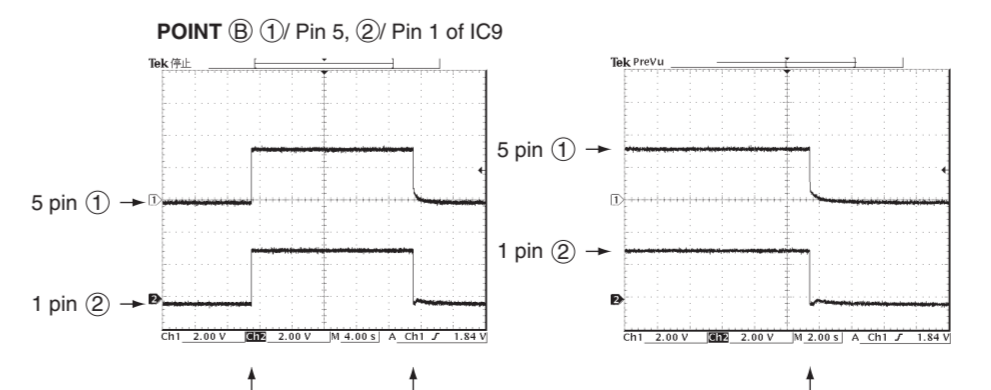
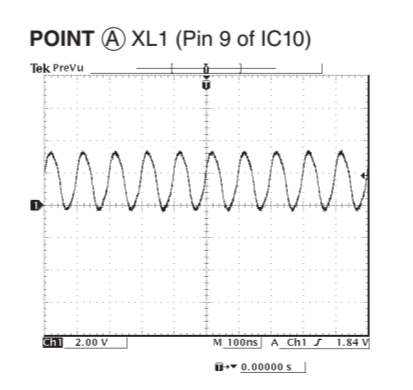
- 電圧は、内部抵抗 10MΩの電圧計で測定したものです。
- Δ印のある部品は、安全確保部品を示しています。部品の交換が必要な場合、パーツリストに記載されている部品を使用してください。
- 本回路図は標準回路図です。改良のため予告なく変更することがございます。

NOTES



★ All voltages are measured with a 10MΩ DC electronic voltmeter.
 ★ Components having special characteristics are marked Δ and must be replaced with parts having specifications equal to those originally installed.
 ★ Schematic diagram is subject to change without notice.

● 電圧は、内部抵抗 10MΩ の電圧計で測定したものです。
 ● Δ印のある部品は、安全性確保部品を示しています。部品の交換が必要な場合、パーツリストに記載されている部品を使用してください。
 ● 本回路図は標準回路図です。改良のため予告なく変更することがございます。



■ REPLACEMENT PARTS LIST

● ELECTRICAL COMPONENT PARTS

WARNING

- Components having special characteristics are marked Δ and must be replaced with parts having specifications equal to those originally installed.
- Δ 印のある部分は、安全確保部品を示しています。部品の交換が必要な場合、パーツリストに記載されている部品を使用してください。
- 部品価格ランクは、予告なく変更することがあります。

ABBREVIATIONS IN THIS LIST ARE AS FOLLOWS:

| | | | |
|------------|-------------------------------|------------|--------------------------------|
| C.A.EL.CHP | : CHIP ALUMI.ELECTROLYTIC CAP | L.EMIT | : LIGHT EMITTING MODULE |
| C.CE | : CERAMIC CAP | LED.DSPLY | : LED DISPLAY |
| C.CE.ARRAY | : CERAMIC CAP ARRAY | LED.INFRD | : LED,INFRARED |
| C.CE.CHP | : CHIP CERAMIC CAP | MODUL.RF | : MODULATOR,RF |
| C.CE.ML | : MULTILAYER CERAMIC CAP | PHOT.CPL | : PHOTO COUPLER |
| C.CE.M.CHP | : CHIP MULTILAYER CERAMIC CAP | PHOT.INTR | : PHOTO INTERRUPTER |
| C.CE.SAFTY | : RECOGNIZED CERAMIC CAP | PHOT.RFLCT | : PHOTO REFLECTOR |
| C.CE.TUBLR | : CERAMIC TUBULAR CAP | PIN.TEST | : PIN,TEST POINT |
| C.CE.SMI | : SEMI CONDUCTIVE CERAMIC CAP | PLST.RIVET | : PLASTIC RIVET |
| C.EL | : ELECTROLYTIC CAP | R.ARRAY | : RESISTOR ARRAY |
| C.MICA | : MICA CAP | R.CAR. | : CARBON RESISTOR |
| C.ML.FLM | : MULTILAYER FILM CAP | R.CAR.CHP | : CHIP RESISTOR |
| C.MP | : METALLIZED PAPER CAP | R.CAR.FP | : FLAME PROOF CARBON RESISTOR |
| C.MYLAR | : MYLAR FILM CAP | R.FUS | : FUSABLE RESISTOR |
| C.MYLAR.ML | : MULTILAYER MYLAR FILM CAP | R.MTL.CHP | : CHIP METAL FILM RESISTOR |
| C.PAPER | : PAPER CAPACITOR | R.MTL.FLM | : METAL FILM RESISTOR |
| C.PLS | : POLYSTYRENE FILM CAP | R.MTL.OXD | : METAL OXIDE FILM RESISTOR |
| C.POL | : POLYESTER FILM CAP | R.MTL.PLAT | : METAL PLATE RESISTOR |
| C.POLY | : POLYETHYLENE FILM CAP | RSNR.CE | : CERAMIC RESONATOR |
| C.PP | : POLYPROPYLENE FILM CAP | RSNR.CRYS | : CRYSTAL RESONATOR |
| C.TNTL | : TANTALUM CAP | R.TW.CEM | : TWIN CEMENT FIXED RESISTOR |
| C.TNTL.CHP | : CHIP TANTALUM CAP | R.CEMENT | : CEMENT RESISTOR |
| C.TRIM | : TRIMMER CAP | SCR.BND.HD | : BIND HEAD B-TIGHT SCREW |
| CN | : CONNECTOR | SCR.BW.HD | : BW HEAD TAPPING SCREW |
| CN.BS.PIN | : CONNECTOR,BASE PIN | SCR.CUP | : CUP TIGHT SCREW |
| CN.CANNON | : CONNECTOR,CANNON | SCR.TERM | : SCREW TERMINAL |
| CN.DIN | : CONNECTOR,DIN | SCR.TR | : SCREW,TRANSISTOR |
| CN.FLAT | : CONNECTOR,FLAT CABLE | SUPRT.PCB | : SUPPORT,P.C.B. |
| CN.POST | : CONNECTOR,BASE POST | SURG.PRTCT | : SURGE PROTECTOR |
| COIL.MX.AM | : COIL,AM MIX | SW.TACT | : TACT SWITCH |
| COIL.AT.FM | : COIL,FM ANTENNA | SW.LEAF | : LEAF SWITCH |
| COIL.DT.FM | : COIL,FM DETECT | SW.LEVER | : LEVER SWITCH |
| COIL.MX.FM | : COIL,FM MIX | SW.MICRO | : MICRO SWITCH |
| COIL.OUTPT | : OUTPUT COIL | SW.PUSH | : PUSH SWITCH |
| DIOD.ARRAY | : DIODE ARRAY | SW.RT.ENC | : ROTARY ENCODER |
| DIODE.BRG | : DIODE BRIDGE | SW.RT.MTR | : ROTARY SWITCH WITH MOTOR |
| DIODE.CHP | : CHIP DIODE | SW.RT | : ROTARY SWITCH |
| DIODE.VAR | : VARACTOR DIODE | SW.SLIDE | : SLIDE SWITCH |
| DIOD.Z.CHP | : CHIP ZENER DIODE | TERM.SP | : SPEAKER TERMINAL |
| DIODE.ZENR | : ZENER DIODE | TERM.WRAP | : WRAPPING TERMINAL |
| DSCR.CE | : CERAMIC DISCRIMINATOR | THRMST.CHP | : CHIP THERMISTOR |
| FER.BEAD | : FERRITE BEADS | TR.CHP | : CHIP TRANSISTOR |
| FER.CORE | : FERRITE CORE | TR.DGT | : DIGITAL TRANSISTOR |
| FET.CHP | : CHIP FET | TR.DGT.CHP | : CHIP DIGITAL TRANSISTOR |
| FL.DSPLY | : FLUORESCENT DISPLAY | TRANS | : TRANSFORMER |
| FLTR.CE | : CERAMIC FILTER | TRANS.PULS | : PULSE TRANSFORMER |
| FLTR.COMB | : COMB FILTER MODULE | TRANS.PWR | : POWER TRANSFORMER ASS'Y |
| FLTR.LC.RF | : LC FILTER,EMI | TUNER.AM | : TUNER PACK,AM |
| GND.MTL | : GROUND PLATE | TUNER.FM | : TUNER PACK,FM |
| GND.TERM | : GROUND TERMINAL | TUNER.PK | : FRONT-ENDTUNER PACK |
| HOLDER.FUS | : FUSE HOLDER | VR | : ROTARY POTENTIOMETER |
| IC.PRTCT | : IC PROTECTOR | VR.MTR | : POTENTIOMETER WITH MOTOR |
| JUMPER.CN | : JUMPER CONNECTOR | VR.SW | : POTENTIOMETER WITH ROTARY SW |
| JUMPER.TST | : JUMPER,TEST POINT | VR.SLIDE | : SLIDE POTENTIOMETER |
| L.DTCT | : LIGHT DETECTING MODULE | VR.TRIM | : TRIMMER POTENTIOMETER |

P.C.B. MAIN

| Ref No. | Part No. | Description | Remarks | Markets | 部 品 名 | ランク |
|----------|----------|---------------|----------------|---------|---------------|-----|
| * | WQ508100 | P. C. B. | MAIN | | P C B M A I N | |
| CB5 | LB919040 | CN. BS. PIN | 4P | | ベース付ポスト | 01 |
| CB6-7 | VQ044400 | CN. BS. PIN | 9P | | F F Cコネクター | 01 |
| C1-2 | UF038100 | C. EL. CHP | 100uF 16V | | チップケミコン | 01 |
| C4 | US035100 | C. CE. CHP | 0. 1uF 16V B | | チップセラコン | 01 |
| C5 | WG888200 | C. CE. M. CHP | 10uF 25V | | チップ積層セラコン | 01 |
| C6-7 | UF038100 | C. EL. CHP | 100uF 16V | | チップケミコン | 01 |
| C8 | WG888200 | C. CE. M. CHP | 10uF 25V | | チップ積層セラコン | 01 |
| C9 | V7497600 | C. CE. M. CHP | 1uF 25V K | | チップ積層セラコン | 01 |
| C10 | US035100 | C. CE. CHP | 0. 1uF 16V B | | チップセラコン | 01 |
| C11 | UF147470 | C. EL. CHP | 47uF 25V | | チップケミコン | 01 |
| C12 | US035100 | C. CE. CHP | 0. 1uF 16V B | | チップセラコン | 01 |
| C13 | WN299900 | C. CE. M. CHP | 3300pF 250V | | チップ積層セラコン | |
| C15 | WG888200 | C. CE. M. CHP | 10uF 25V | | チップ積層セラコン | 01 |
| C16 | UF067100 | C. EL. CHP | 10uF 50V | | チップケミコン | 01 |
| C17 | US064100 | C. CE. CHP | 0. 01uF 50V B | | チップセラコン | 01 |
| C19 | UF037470 | C. EL. CHP | 47uF 16V | | チップケミコン | 01 |
| C20 | WG888200 | C. CE. M. CHP | 10uF 25V | | チップ積層セラコン | 01 |
| C21 | UF038100 | C. EL. CHP | 100uF 16V | | チップケミコン | 01 |
| C22 | US035100 | C. CE. CHP | 0. 1uF 16V B | | チップセラコン | 01 |
| C23 | US145100 | C. CE. CHP | 0. 1uF 25V | | チップセラコン | 01 |
| C24-25 | US035100 | C. CE. CHP | 0. 1uF 16V B | | チップセラコン | 01 |
| C26 | UF038100 | C. EL. CHP | 100uF 16V | | チップケミコン | 01 |
| C27 | US062680 | C. CE. CHP | 680pF 50V B | | チップセラコン | 01 |
| C29 | US062680 | C. CE. CHP | 680pF 50V B | | チップセラコン | 01 |
| C30 | WG888200 | C. CE. M. CHP | 10uF 25V | | チップ積層セラコン | 01 |
| C32-35 | US035100 | C. CE. CHP | 0. 1uF 16V B | | チップセラコン | 01 |
| C36 | WM755400 | C. CE. M. CHP | 22uF 10V | | チップ積層セラコン | 03 |
| C37-41 | US035100 | C. CE. CHP | 0. 1uF 16V B | | チップセラコン | 01 |
| * C42-45 | WR102800 | C. CE. M. CHP | 0. 12uF 16V J | | チップ積層セラコン | |
| C46 | WD758300 | C. CE. CHP | 10uF 10V | | チップセラコン | 01 |
| C47 | UF018100 | C. EL. CHP | 100uF 6. 3V | | チップケミコン | 01 |
| C48 | WG888200 | C. CE. M. CHP | 10uF 25V | | チップ積層セラコン | 01 |
| C49 | US034680 | C. CE. CHP | 0. 068uF 16V K | | チップセラコン | 01 |
| C50 | WF456400 | C. CE. M. CHP | 4. 7uF 16V | | チップ積層セラコン | 01 |
| C51-52 | US063100 | C. CE. CHP | 1000pF 50V B | | チップセラコン | 01 |
| C53-54 | US135220 | C. CE. CHP | 0. 22uF 16V | | チップセラコン | 01 |
| C55-56 | V4771700 | C. CE. M. CHP | 1uF 10V | | チップ積層セラコン | 01 |
| C57 | WH046700 | C. CE. M. CHP | 4. 7uF 16V | | チップ積層セラコン | 01 |
| C58 | UF038100 | C. EL. CHP | 100uF 16V | | チップケミコン | 01 |
| C59-60 | US035100 | C. CE. CHP | 0. 1uF 16V B | | チップセラコン | 01 |
| C61 | UF038100 | C. EL. CHP | 100uF 16V | | チップケミコン | 01 |
| C62 | US035100 | C. CE. CHP | 0. 1uF 16V B | | チップセラコン | 01 |
| C64-66 | US035100 | C. CE. CHP | 0. 1uF 16V B | | チップセラコン | 01 |
| C67 | WQ527000 | C. EL | 100uF 16V | | チップケミコン | |
| C68-69 | WH046700 | C. CE. M. CHP | 4. 7uF 16V | | チップ積層セラコン | 01 |
| C70 | WQ527000 | C. EL | 100uF 16V | | チップケミコン | |
| C72 | US035100 | C. CE. CHP | 0. 1uF 16V B | | チップセラコン | 01 |
| C73 | US063100 | C. CE. CHP | 1000pF 50V B | | チップセラコン | 01 |
| C74-75 | WH046700 | C. CE. M. CHP | 4. 7uF 16V | | チップ積層セラコン | 01 |
| C76-77 | WQ527000 | C. EL | 100uF 16V | | チップケミコン | |
| C78 | US035100 | C. CE. CHP | 0. 1uF 16V B | | チップセラコン | 01 |
| C79 | WD758300 | C. CE. CHP | 10uF 10V | | チップセラコン | 01 |
| C80 | UF037100 | C. EL. CHP | 10uF 16V | | チップケミコン | 01 |
| C81 | WD758300 | C. CE. CHP | 10uF 10V | | チップセラコン | 01 |
| C82 | US035100 | C. CE. CHP | 0. 1uF 16V B | | チップセラコン | 01 |
| C83-84 | US064100 | C. CE. CHP | 0. 01uF 50V B | | チップセラコン | 01 |

* New Parts * 新規部品

PDX-30

P.C.B. MAIN

| Ref No. | Part No. | Description | Remarks | Markets | 部 品 名 | ランク |
|----------|----------|-------------|---------------------|---------|------------|-----|
| C85-88 | US035100 | C. CE. CHP | 0. 1uF 16V B | | チップセラコン | 01 |
| C89-92 | US064100 | C. CE. CHP | 0. 01uF 50V B | | チップセラコン | 01 |
| C97 | WD758200 | C. CE. CHP | 47uF 6. 3V | | チップセラコン | 01 |
| C98-99 | US064100 | C. CE. CHP | 0. 01uF 50V B | | チップセラコン | 01 |
| C100-101 | US063100 | C. CE. CHP | 1000pF 50V B | | チップセラコン | 01 |
| C102 | US063330 | C. CE. CHP | 3300pF 50V B | | チップセラコン | 01 |
| C103-104 | US064100 | C. CE. CHP | 0. 01uF 50V B | | チップセラコン | 01 |
| C105 | US035100 | C. CE. CHP | 0. 1uF 16V B | | チップセラコン | 01 |
| C106-107 | US064100 | C. CE. CHP | 0. 01uF 50V B | | チップセラコン | 01 |
| C108 | US035100 | C. CE. CHP | 0. 1uF 16V B | | チップセラコン | 01 |
| D1 | WE674800 | DIODE | AVRL161A1R1NTB | | チップバリスタ | 01 |
| D2 | VV925900 | DIODE | RLS-73 TE-11 TP | | ダイオード | 01 |
| D3-4 | VT332900 | DIODE | 1SS355 | | ダイオード | 01 |
| D5 | WC962500 | DIODE. CHP | D1FM3-7063 | | チップダイオード | 01 |
| D6 | VU172300 | DIODE. ZENR | UDZ7. 5B 7. 5V | | ツェナーダイオード | 01 |
| D7 | VS597600 | DIODE. CHP | RB160L-40 TE25 | | チップダイオード | 01 |
| D8-9 | VU993300 | DIODE. ZENR | MA8062-L 6V | | ツェナーダイオード | 01 |
| D10-11 | VT332900 | DIODE | 1SS355 | | ダイオード | 01 |
| * D16 | WQ469500 | LED. CHP | SML-A12UT RED | | チップLED | |
| * D17 | WQ469400 | LED. CHP | SML-A12MT GREEN | | チップLED | |
| D20-25 | VT332900 | DIODE | 1SS355 | | ダイオード | 01 |
| D28-32 | WC413300 | DIODE. ZENR | RSB6. 8S 6. 8V | | ツェナーダイオード | 01 |
| F1 | V2997600 | SW. POLY | SMDC050-02 40A, 15V | | ポリスイッチ | 01 |
| IC1 | WJ314500 | FET | ECH8605-TL-E | | FET | 05 |
| IC2 | X9417A00 | IC | NJM2370U05 (TE1) | | 電源IC | 03 |
| * IC3 | YA092A00 | IC | DPA424GN-TL | | 電源IC | |
| IC4 | WB058200 | PHOT. CPL | TLP281 GR | | フォトカプラ | 01 |
| IC5 | X6770A00 | IC | NJM431U (TE1) | | 電源IC | 01 |
| IC6 | X9850A00 | IC | BD9870FPS | | 電源IC | |
| IC7 | X6878A00 | IC | LC75348M | | アナログIC | 06 |
| IC9 | YA312A00 | IC | BD5230FVE-TR RESET | | リセットIC | |
| IC12 | X8201A00 | IC | TC7WH125FK | | ロジックIC | 01 |
| JK1 | V5095000 | JACK. DC | LGP7031-0300 | | DC ジャック | 04 |
| Q1-2 | VV556400 | TR | 2SC2412K Q, R, S | | トランジスタ | 01 |
| Q3-4 | WH445000 | FET | 3LNO1C-TB-E | | FET | 01 |
| SW4-5 | WC631100 | SW. TACT | SKRPABE010 | | タクトSW | 01 |
| T1 | X9729A00 | TRANS. PWR | | | 電源トランス | |
| U1 | WJ203100 | L. DTCT | GP1UE281QKVF | | リモコン受光ユニット | 03 |
| XL1 | V9864200 | RSNR. CE | 10MHz | | セラミック発振子 | 01 |

* New Parts * 新規部品

P.C.B. MAIN

PDX-30/PDX-50

| Ref No. | Part No. | Description | Remarks | Markets | 部 品 名 | ランク |
|----------|----------|--------------------|-----------------|---------|---------------|-----|
| * | WQ508000 | P. C. B. | MAIN | | P C B M A I N | |
| * CB2 | WP980000 | CN | 22P JED | | コネクタ | |
| CB5 | LB919040 | CN. BS. PIN | 4P | | ベース付ポスト | 01 |
| CB6 | VQ044400 | CN. BS. PIN | 9P | | F F Cコネクタ | 01 |
| C1-2 | UF038100 | C. EL. CHP | 100uF 16V | | チップケミコン | 01 |
| C3 | US035100 | C. CE. CHP | 0. 1uF 16V B | | チップセラコン | 01 |
| C5 | WG888200 | C. CE. M. CHP | 10uF 25V | | チップ積層セラコン | 01 |
| C9 | V7497600 | C. CE. M. CHP | 1uF 25V K | | チップ積層セラコン | 01 |
| C12 | US035100 | C. CE. CHP | 0. 1uF 16V B | | チップセラコン | 01 |
| C15 | WG888200 | C. CE. M. CHP | 10uF 25V | | チップ積層セラコン | 01 |
| C19 | UF037470 | C. EL. CHP | 47uF 16V | | チップケミコン | 01 |
| C20 | WG888200 | C. CE. M. CHP | 10uF 25V | | チップ積層セラコン | 01 |
| C23 | US145100 | C. CE. CHP | 0. 1uF 25V | | チップセラコン | 01 |
| C24-25 | US035100 | C. CE. CHP | 0. 1uF 16V B | | チップセラコン | 01 |
| C27 | US062680 | C. CE. CHP | 680pF 50V B | | チップセラコン | 01 |
| C29 | US062680 | C. CE. CHP | 680pF 50V B | | チップセラコン | 01 |
| C32-35 | US035100 | C. CE. CHP | 0. 1uF 16V B | | チップセラコン | 01 |
| C37-41 | US035100 | C. CE. CHP | 0. 1uF 16V B | | チップセラコン | 01 |
| * C42-45 | WR102800 | C. CE. M. CHP | 0. 12uF 16V J | | チップ積層セラコン | |
| C46 | WD758300 | C. CE. CHP | 10uF 10V | | チップセラコン | 01 |
| C47 | UF018100 | C. EL. CHP | 100uF 6. 3V | | チップケミコン | 01 |
| C48 | WG888200 | C. CE. M. CHP | 10uF 25V | | チップ積層セラコン | 01 |
| C49 | US034680 | C. CE. CHP | 0. 068uF 16V K | | チップセラコン | 01 |
| C50 | WF456400 | C. CE. M. CHP | 4. 7uF 16V | | チップ積層セラコン | 01 |
| C51-52 | US063100 | C. CE. CHP | 1000pF 50V B | | チップセラコン | 01 |
| C53-54 | US135220 | C. CE. CHP | 0. 22uF 16V | | チップセラコン | 01 |
| C55-56 | V4771700 | C. CE. M. CHP | 1uF 10V | | チップ積層セラコン | 01 |
| C57 | WHO46700 | C. CE. M. CHP | 4. 7uF 16V | | チップ積層セラコン | 01 |
| C58 | UF038100 | C. EL. CHP | 100uF 16V | | チップケミコン | 01 |
| C59-60 | US035100 | C. CE. CHP | 0. 1uF 16V B | | チップセラコン | 01 |
| C61 | UF038100 | C. EL. CHP | 100uF 16V | | チップケミコン | 01 |
| C62 | US035100 | C. CE. CHP | 0. 1uF 16V B | | チップセラコン | 01 |
| C64-66 | US035100 | C. CE. CHP | 0. 1uF 16V B | | チップセラコン | 01 |
| C67 | WQ527000 | C. EL | 100uF 16V | | チップケミコン | |
| C68-69 | WHO46700 | C. CE. M. CHP | 4. 7uF 16V | | チップ積層セラコン | 01 |
| C70 | WQ527000 | C. EL | 100uF 16V | | チップケミコン | |
| C73 | US063100 | C. CE. CHP | 1000pF 50V B | | チップセラコン | 01 |
| C74-75 | WHO46700 | C. CE. M. CHP | 4. 7uF 16V | | チップ積層セラコン | 01 |
| C76-77 | WQ527000 | C. EL | 100uF 16V | | チップケミコン | |
| C78 | US035100 | C. CE. CHP | 0. 1uF 16V B | | チップセラコン | 01 |
| C79 | WD758300 | C. CE. CHP | 10uF 10V | | チップセラコン | 01 |
| C80 | UF037100 | C. EL. CHP | 10uF 16V | | チップケミコン | 01 |
| C83-84 | US064100 | C. CE. CHP | 0. 01uF 50V B | | チップセラコン | 01 |
| C85-88 | US035100 | C. CE. CHP | 0. 1uF 16V B | | チップセラコン | 01 |
| C89-92 | US064100 | C. CE. CHP | 0. 01uF 50V B | | チップセラコン | 01 |
| C98-99 | US064100 | C. CE. CHP | 0. 01uF 50V B | | チップセラコン | 01 |
| C100-101 | US063100 | C. CE. CHP | 1000pF 50V B | | チップセラコン | 01 |
| C102 | US063330 | C. CE. CHP | 3300pF 50V B | | チップセラコン | 01 |
| C103-104 | US064100 | C. CE. CHP | 0. 01uF 50V B | | チップセラコン | 01 |
| C105 | US035100 | C. CE. CHP | 0. 1uF 16V B | | チップセラコン | 01 |
| C106-107 | US064100 | C. CE. CHP | 0. 01uF 50V B | | チップセラコン | 01 |
| D7 | VS597600 | D I O D E. C H P | RB160L-40 TE25 | | チップダイオード | 01 |
| D10-11 | VT332900 | D I O D E | 1SS355 | | ダイオード | 01 |
| * D16 | WQ469500 | L E D. C H P | SML-A12UT RED | | チップL E D | |
| * D17 | WQ469400 | L E D. C H P | SML-A12MT GREEN | | チップL E D | |
| D20-25 | VT332900 | D I O D E | 1SS355 | | ダイオード | 01 |
| D28-30 | WC413300 | D I O D E. Z E N R | RSB6. 8S 6. 8V | | ツェナーダイオード | 01 |

* New Parts * 新規部品

PDX-50

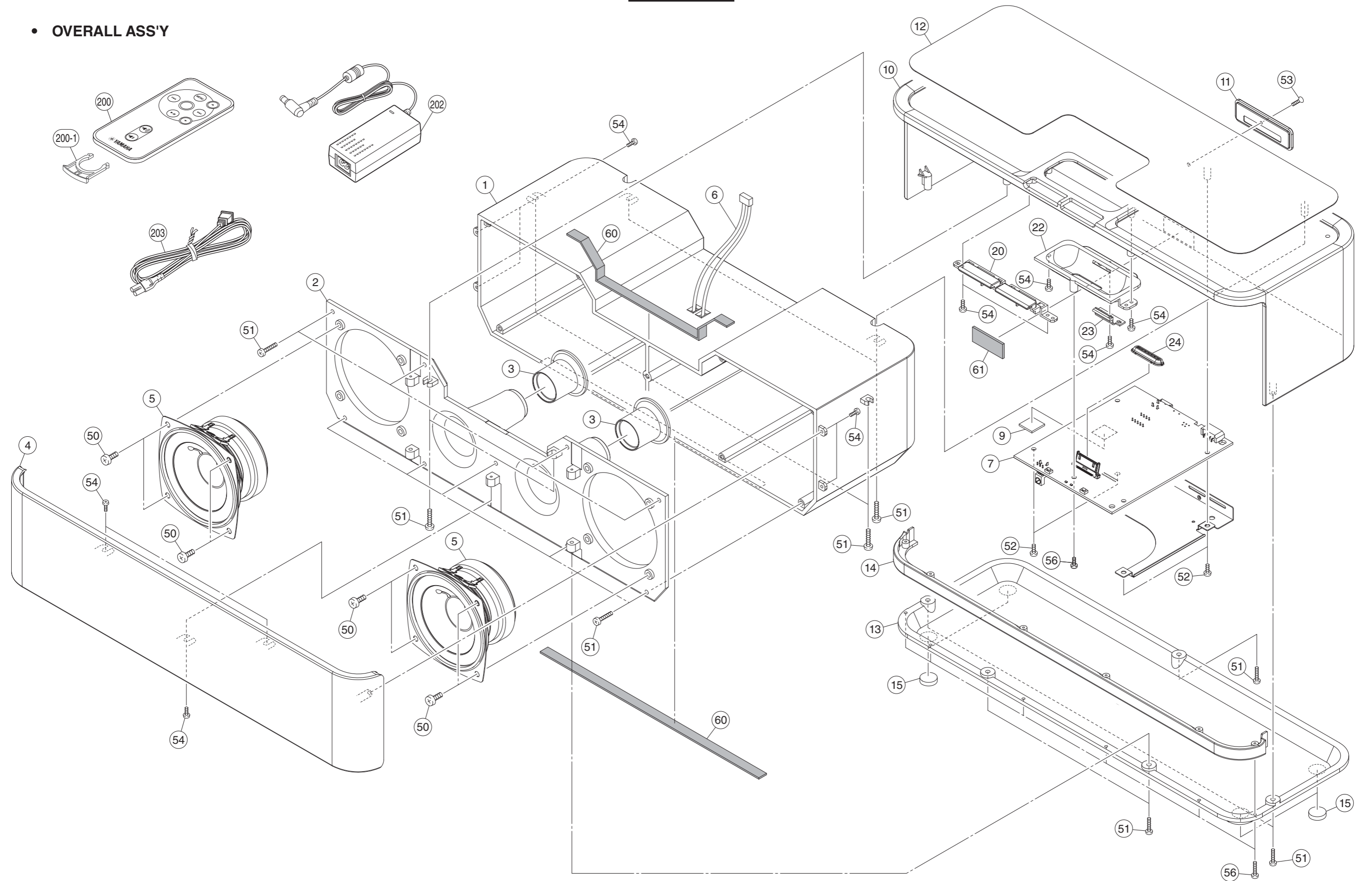
P.C.B. MAIN

| Ref No. | Part No. | Description | Remarks | Markets | 部 品 名 | ランク |
|---------|----------|-------------|---------------------|---------|----------|-----|
| F1 | V2997600 | SW. POLY | SMDG050-02 40A, 15V | | ポリスイッチ | 01 |
| IC2 | X9417A00 | IC | NJM2370U05 | | 電源 I C | 03 |
| IC6 | X9850A00 | IC | BD9870FPS | | 電源 I C | |
| IC7 | X6878A00 | IC | LC75348M | | アナログ I C | 06 |
| * IC9 | YA312A00 | IC | BD5230FVE-TR RESET | | リセット I C | |
| JK1 | V5095000 | JACK. DC | LGP7031-0300 | | D C ジャック | 04 |
| Q2 | VV556400 | TR | 2SG2412K Q, R, S | | トランジスタ | 01 |
| * SW1 | WK192800 | SW. SLIDE | SSSS812201 | | スライドSW | |
| SW4-5 | WC631100 | SW. TACT | SKRPABE010 | | タクトSW | 01 |
| XL1 | V9864200 | RSNR. CE | 10MHz | | セラミック発振子 | 01 |

* New Parts * 新規部品

PDX-30/PDX-50

• OVERALL ASS'Y



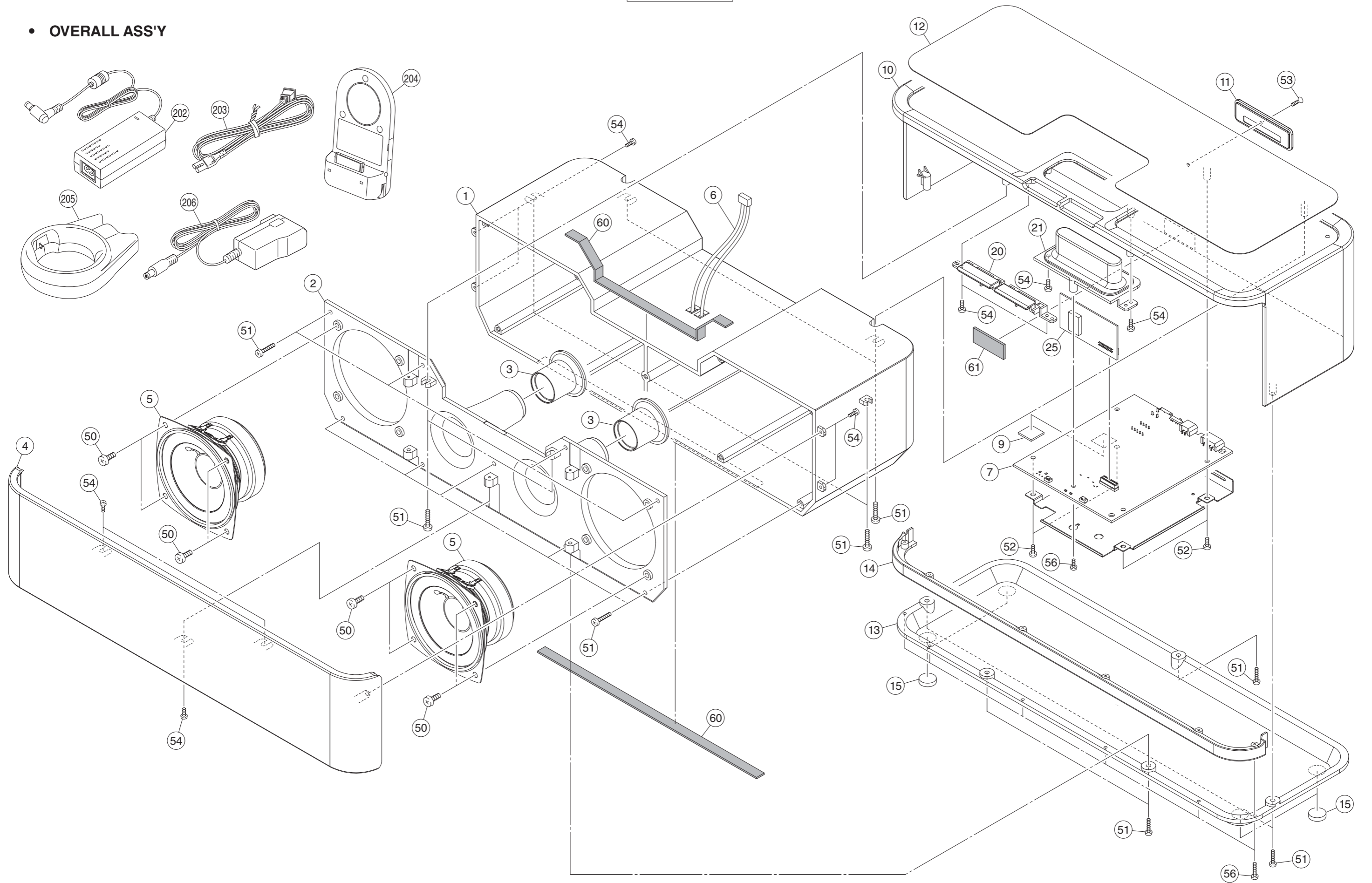
| Ref No. | Part No. | Description | Remarks | Markets | 部 品 名 | ランク |
|---------|----------|-------------------------|----------|-------------------------|---------------|-----------|
| * 1 | WQ064400 | CABINET | | | キャビネット | |
| * 2 | WQ085300 | BAFFLE BOARD | | | バッフルボード | |
| * 3 | WQ076200 | PORT | | | ポート | |
| * 4 | WQ069600 | FRONT GRILLE ASS'Y | Gray | GY | フロングリルASSY | |
| * 4 | WQ069700 | FRONT GRILLE ASS'Y | Blue | BU | フロングリルASSY | |
| * 4 | WQ069800 | FRONT GRILLE ASS'Y | Pink | PI | フロングリルASSY | |
| * 4 | WQ069900 | FRONT GRILLE ASS'Y | Black | BL | フロングリルASSY | |
| * 5 | YA230A00 | DRIVER FULL-RANGE | 7.7cm 6Ω | | スピーカーユニット | |
| * 6 | WQ474500 | SPEAKER CABLE ASS'Y | 4P 310mm | | スピーカーケーブルASSY | |
| * 7 | WQ508100 | P.C.B. ASS'Y | MAIN | | PCB MAIN | |
| * 9 | WQ070300 | RADIATION SHEET | | | 放熱シート | |
| * 10 | WQ062600 | TOP PANEL | White | GY, BU, PI | トップパネル | |
| * 10 | WQ063000 | TOP PANEL | Black | BL | トップパネル | |
| * 11 | WQ067600 | COVER | White | GY, BU, PI | カバー | |
| * 11 | WQ067700 | COVER | Black | BL | カバー | |
| * 12 | WQ067200 | TOP SHEET | Gray | GY | JRTKABGL | トップシート |
| * 12 | WQ067300 | TOP SHEET | Blue | BU | JRTKABGL | トップシート |
| * 12 | WQ067400 | TOP SHEET | Pink | PI | JRTKABGL | トップシート |
| * 12 | WQ067500 | TOP SHEET | Black | BL | JRTKABGL | トップシート |
| * 12 | WR673100 | TOP SHEET | Gray | GY | U | トップシート |
| * 12 | WR673200 | TOP SHEET | Blue | BU | U | トップシート |
| * 12 | WR673300 | TOP SHEET | Pink | PI | U | トップシート |
| * 12 | WR673400 | TOP SHEET | Black | BL | U | トップシート |
| * 13 | WQ064300 | BOTTOM COVER | | | ボトムカバー | |
| * 14 | WQ966800 | FRONT COVER | White | GY, BU, PI | フロントカバー | |
| * 14 | WQ966900 | FRONT COVER | Black | BL | フロントカバー | |
| * 15 | WQ070000 | CUSHION LEG | | | クッションLEG | |
| * 20 | WQ067000 | BUTTON | White | GY, BU, PI | ボタン2P | |
| * 20 | WQ067100 | BUTTON | Black | BL | ボタン2P | |
| * 22 | WQ066200 | SUPPORT IPOD | White | GY, BU, PI | JRTKABGL | サポートIPOD |
| * 22 | WR513700 | SUPPORT IPOD | Black | BL | U | サポートIPOD |
| * 23 | WQ064500 | SPRING IPOD | White | GY, BU, PI | JRTKABGL | スプリングIPOD |
| * 23 | WR513800 | SPRING IPOD | Black | BL | U | スプリングIPOD |
| * 24 | WQ070100 | SUPPORT CONNECTOR | White | GY, BU, PI | JRTKABGL | サポートコネクタ |
| * 24 | WR513900 | SUPPORT CONNECTOR | Black | BL | U | サポートコネクタ |
| 50 | WF759500 | BIND HEAD P-TIGHT SCREW | 4x10 | MFZN2B3 | | 01 |
| 51 | WF507300 | BIND HEAD P-TIGHT SCREW | 3x12 | MFZN2B3 | | 01 |
| 52 | WF266600 | BIND HEAD P-TIGHT SCREW | 3x8 | MFZN2B3 | | 01 |
| * 53 | WQ292600 | FLAT HEAD B-TIGHT SCREW | 2x5 | MFZN2B3 | | |
| 54 | WF267600 | BIND HEAD P-TIGHT SCREW | 2x6 | MFZN2B3 | | 01 |
| * 56 | WN759000 | BIND HEAD P-TIGHT SCREW | 2x8 | MFZN2B3 | | |
| * 60 | WR370000 | PACKING | 8x200 | | パッキン | |
| * 61 | WM539200 | PACKING | 10x20 | | パッキン | |
| | | ACCESSORIES | | | 付属品 | |
| * 200 | WQ292000 | REMOTE CONTROL | | RC-7051601-0006 | リモコン | |
| * 200-1 | WR260700 | BATTERY HOLDER | Black | 51D050003 | 電池ホルダー | |
| △ * 202 | WQ340300 | AC ADAPTOR | 1.8m 1pc | AC100-240V, DC15V/2.66A | ACアダプター | 05 |
| △ * 203 | WD940300 | POWER CABLE | 1.8m 1pc | | J | 電源コード |
| △ * 203 | WQ388300 | POWER CABLE | 1.8m 1pc | | UR | 電源コード |
| △ 203 | WD940400 | POWER CABLE | 1.8m 1pc | | T | 電源コード |
| △ 203 | WD940500 | POWER CABLE | 1.8m 1pc | | K | 電源コード |
| △ 203 | WD940600 | POWER CABLE | 1.8m 1pc | | A | 電源コード |

* New Parts * 新規部品

| Ref No. | Part No. | Description | Remarks | Markets | 部 品 名 | ランク |
|---------|----------|-----------------|------------|---------|-------|--------|
| △ 203 | WD940700 | POWER CABLE | 1.8m 1pc | | B | 電源コード |
| △ 203 | WD940800 | POWER CABLE | 2.0m 1pc | | GL | 電源コード |
| | | LITHIUM BATTERY | CR2025 1pc | | | リチウム電池 |

* New Parts * 新規部品

• OVERALL ASS'Y



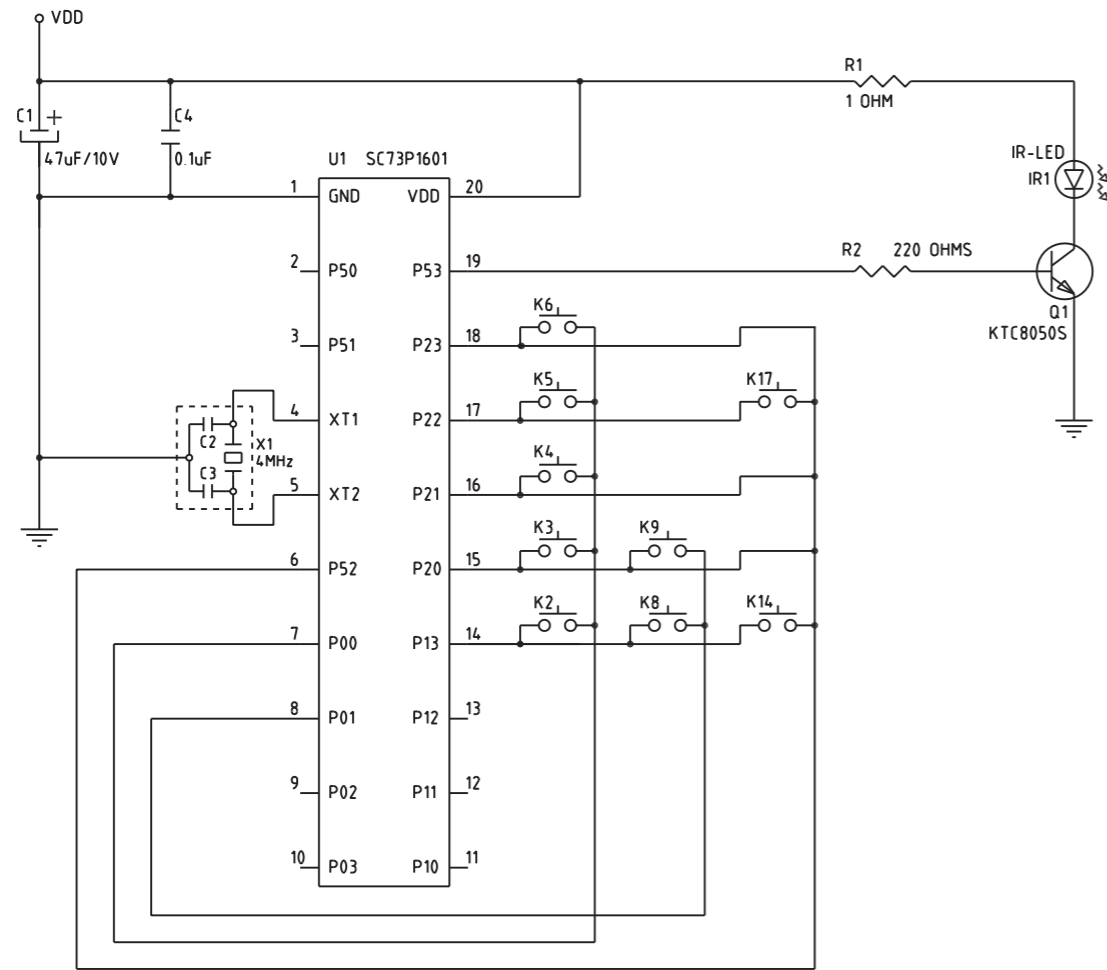
| Ref No. | Part No. | Description | Remarks | Markets | 部 品 名 | ランク | | |
|---------|----------|-------------------------|-----------------------|------------|-------------------------|--------------|-------------|--|
| * 1 | WQ064400 | CABINET | | | キャビネット | | | |
| * 2 | WQ085300 | BAFFLE BOARD | | | バッフルボード | | | |
| * 3 | WQ076200 | PORT | | | ポート | | | |
| * 4 | WQ069600 | FRONT GRILLE ASS'Y | Gray | GY | フロングリルASSY | | | |
| * 4 | WQ069700 | FRONT GRILLE ASS'Y | Blue | BU | フロングリルASSY | | | |
| * 4 | WQ069800 | FRONT GRILLE ASS'Y | Pink | PI | フロングリルASSY | | | |
| * 4 | WQ069900 | FRONT GRILLE ASS'Y | Black | BL | フロングリルASSY | | | |
| * 5 | YA230A00 | DRIVER FULL-RANGE | 7.7cm 6Ω | | スピーカーユニット | | | |
| * 6 | WQ474500 | SPEAKER CABLE ASS'Y | 4P 310mm | | スピーカーケーブルASSY | | | |
| * 7 | WQ508000 | P.C.B. ASS'Y | MAIN | | PCB MAIN | | | |
| * 9 | WQ070300 | RADIATION SHEET | | | 放射シート | | | |
| * 10 | WQ062600 | TOP PANEL | White | GY, BU, PI | トップパネル | | | |
| * 10 | WQ063000 | TOP PANEL | Black | BL | トップパネル | | | |
| * 11 | WQ067600 | COVER | White | GY, BU, PI | カバー | | | |
| * 11 | WQ067700 | COVER | Black | BL | カバー | | | |
| * 12 | WQ067200 | TOP SHEET | Gray | GY | トップシート | | | |
| * 12 | WQ067300 | TOP SHEET | Blue | BU | トップシート | | | |
| * 12 | WQ067400 | TOP SHEET | Pink | PI | トップシート | | | |
| * 12 | WQ067500 | TOP SHEET | Black | BL | トップシート | | | |
| * 13 | WQ064300 | BOTTOM COVER | | | ボトムカバー | | | |
| * 14 | WQ270800 | FRONT COVER | White | GY, BU, PI | フロントカバー | | | |
| * 14 | WQ270900 | FRONT COVER | Black | BL | フロントカバー | | | |
| * 15 | WQ070000 | CUSHION LEG | | | クッションLEG | | | |
| * 20 | WQ067000 | BUTTON | White | GY, BU, PI | ボタン2P | | | |
| * 20 | WQ067100 | BUTTON | Black | BL | ボタン2P | | | |
| * 21 | WQ066300 | SUPPORT WU | White | GY, BU, PI | サポートWU | | | |
| * 21 | WQ066400 | SUPPORT WU | Black | BL | サポートWU | | | |
| * 25 | WR776900 | WIRELESS MODULE | ADLIB-PHY VER.D14C | | 無線モジュール | | | |
| 50 | WF759500 | BIND HEAD P-TIGHT SCREW | 4x10 MFZN2B3 | | バインドPタイトネジ | 01 | | |
| 51 | WF507300 | BIND HEAD P-TIGHT SCREW | 3x12 MFZN2B3 | | バインドPタイトネジ | 01 | | |
| 52 | WF266600 | BIND HEAD P-TIGHT SCREW | 3x8 MFZN2B3 | | バインドPタイトネジ | 01 | | |
| * 53 | WQ292600 | FLAT HEAD B-TIGHT SCREW | 2x5 MFZN2B3 | | 皿Bタイトネジ | | | |
| 54 | WF267600 | BIND HEAD P-TIGHT SCREW | 2x6 MFZN2B3 | | バインドPタイトネジ | 01 | | |
| * 56 | WN759000 | BIND HEAD P-TIGHT SCREW | 2x8 MFZN2B3 | | バインドPタイトネジ | | | |
| * 60 | WR370000 | PACKING | 8x200 | | パッキン | | | |
| 61 | WM539200 | PACKING | 10x20 | | パッキン | | | |
| | | ACCESSORIES | | | 付属品 | | | |
| △ | 202 | WQ340300 | AC ADAPTOR | 1.8m 1pc | AC100-240V, DC15V/2.66A | ACアダプター | | |
| △ | 203 | WD940300 | POWER CABLE | 1.8m 1pc | | 電源コード | 05 | |
| △ | * 203 | WQ388300 | POWER CABLE | 1.8m 1pc | | 電源コード | | |
| △ | * 203 | WD940400 | POWER CABLE | 1.8m 1pc | | 電源コード | | |
| △ | * 203 | WD940500 | POWER CABLE | 1.8m 1pc | | 電源コード | | |
| △ | * 203 | WD940600 | POWER CABLE | 1.8m 1pc | | 電源コード | | |
| △ | * 203 | WD940700 | POWER CABLE | 1.8m 1pc | | 電源コード | | |
| △ | * 203 | WD940800 | POWER CABLE | 2.0m 1pc | | 電源コード | | |
| * 204 | WQ610600 | TRANSMITTER for iPod | 1pc | PDX-50TX | J | iPodトランスミッター | | |
| * 204 | WQ610700 | TRANSMITTER for iPod | 1pc | PDX-50TX | UR | iPodトランスミッター | | |
| * 204 | WQ610800 | TRANSMITTER for iPod | 1pc | PDX-50TX | TK | iPodトランスミッター | | |
| * 204 | WQ610900 | TRANSMITTER for iPod | 1pc | PDX-50TX | ABGL | iPodトランスミッター | | |
| * 205 | WQ610500 | CHARGING CRADLE | 1pc | PDX-50BC | | 充電器 | | |
| △ | * 206 | WQ604900 | AC ADAPTOR for CRADLE | 1.8m 1pc | AC100-240V, DC5V/1A | JUR | 充電器用ACアダプター | |
| △ | * 206 | WQ605000 | AC ADAPTOR for CRADLE | 1.8m 1pc | AC100-240V, DC5V/1A | T | 充電器用ACアダプター | |

* New Parts * 新規部品

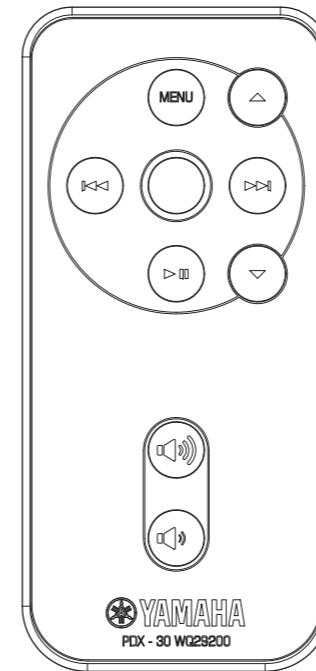
| Ref No. | Part No. | Description | Remarks | Markets | 部 品 名 | ランク | | |
|---------|----------|-------------|-----------------------|----------|---------------------|-----|-------------|--|
| △ | * 206 | WQ605300 | AC ADAPTOR for CRADLE | 1.8m 1pc | AC100-240V, DC5V/1A | K | 充電器用ACアダプター | |
| △ | * 206 | WQ605100 | AC ADAPTOR for CRADLE | 1.8m 1pc | AC100-240V, DC5V/1A | A | 充電器用ACアダプター | |
| △ | * 206 | WQ605400 | AC ADAPTOR for CRADLE | 1.8m 1pc | AC100-240V, DC5V/1A | B | 充電器用ACアダプター | |
| △ | * 206 | WQ605200 | AC ADAPTOR for CRADLE | 1.8m 1pc | AC100-240V, DC5V/1A | G | 充電器用ACアダプター | |
| △ | * 206 | WQ605500 | AC ADAPTOR for CRADLE | 1.8m 1pc | AC100-240V, DC5V/1A | L | 充電器用ACアダプター | |

* New Parts * 新規部品

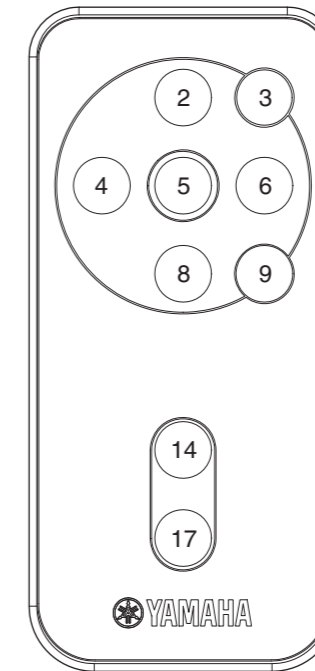
**REMOTE CONTROL
SCHEMATIC DIAGRAM**



PANEL



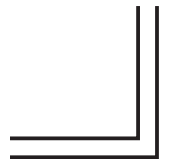
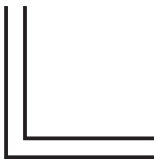
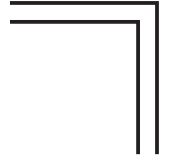
KEY NO. LAYOUT



KEY CODE

| No. | Function | Code |
|-----|-------------------|-------|
| 2 | MENU | 78-9F |
| 3 | ▲ (UP) | 78-8E |
| 4 | ◀◀ (REW) | 78-04 |
| 5 | ENTER | 78-C1 |
| 6 | ▶▶ (FF) | 78-03 |
| 8 | ▶ (PLAY/PAUSE) | 78-02 |
| 9 | ▼ (DOWN) | 78-8F |
| 14 | 🔊 (VOLUME+) | 78-1E |
| 17 | 🔊 (VOLUME-) | 78-1E |

MEMO



PDX-30/PDX-50

